



TOSOT

| Submittal Data: | | 12,000 BTU/H Wall Mounted Heat- Pump System | | |
|-------------------------------------------------------------------------------------------------------------------------------------------------------------------------------------------------------------------------------------------------------------------------------------------------------------------------------------------------------------------------------------------------------------------------------------------------------------------------------------------------------------------------------------------------------------------------------------------------------------------|------------------------------------------------------------------------------------|---------------------------------------------|-------------------------------------------------------------------------|-----------------------------------|
| Job Name | Location | Date | | |
| Purchaser | Engineer | | | |
| Submitted To | For | <input type="checkbox"/> Reference | <input type="checkbox"/> Approval <input type="checkbox"/> Construction | |
| Unit Designation | Schedule No. | | | |
| GENERAL FEATURES <ul style="list-style-type: none"> - Variable Speed (Inverter) Two-Stage Compressor - Low Ambient Heating (down to -22° F) - WIFI Controls - 7 Indoor Fan Speeds - 4 Way Airflow Operation - Wireless Remote with LCD Display - Copper Tube/Aluminum Fins w/ Acrylic Resin Anti-Corrosion Coating on both ID and OD units - I-FEEL Function - 5 year Limited Parts Warranty, 7 year limited compressor warranty  |  | | | |
| System Ratings | | Indoor Unit Data | | |
| Cooling | | Fan Motor | Type | Cross-flow |
| Rated Capacity | 12,000 BTU/H | | Output Power | 60 W |
| Capacity Range | 2,900 -15,354 BTU/H | | FLA | 0.09 A |
| Power Input (Max) | 1,500 W | Airflow | (Low/High) | 235/500 CFM |
| SEER | 30.5 | Air Throw | (Max) | 29.5 ft |
| EER | 15.3 | Sound Level | | |
| Heating at 47° F | | | Cooling (Low/High) | 22/49 dB(A) |
| Rated Capacity | 12,200 BTU/H | | Heating (Low/High) | 22/49 dB(A) |
| Capacity Range | 3,071 -18,766 BTU/H | Dehumidification | | 3.0 pt/hr |
| Power Input (Max) | 1,600 W | Outdoor Unit Data | | |
| HSPF | 14.0 | Compressor | Type | DC Inverter Driven 2-Stage Rotary |
| COP | 3.8 | | RLA | 6.9A |
| Heating at 17° F | | Fan Motor | Output Power | 30 W |
| Rated Capacity | 8,100 BTU/H | | RLA | 0.24 A |
| Operating Range | | Sound Level | | 53 dB(A) |
| Cooling | (Max) | 129°F(54°C) | Refrigerant Piping Data | |
| | (Min) | 0°F(-18°C) | Gas Pipe Size (OD) | 1/2-in |
| Heating | (Max) | 75°F (24°C) | Liquid Pipe Size (OD) | 1/4-in |
| | (Min) | -22°F(-30°C) | Connection Method | Flared |
| Power Supply | | | Factory Charge | R410A/49.4 oz |
| Normal Operational Voltage | 208/230 V, 1 Phase, 60 Hz | | Additional Charge | 0.20 oz/ft |
| Voltage Range | 187 - 253 V | | Pre-Charge Length | 25-ft |
| Main Power Wire Size | 12-2 AWG | | MAX Refrigerant Pipe Length | 98-ft |
| Interconnecting Cable Wire Size | 14-4 AWG | | MIN Refrigerant Pipe Length | 10-ft |
| MCA | 9 A | | MAX Refrigerant Pipe Elevation | 49-ft |
| MOCP/Breaker Size | 15 A | | | |



| SYSTEM FEATURES | |
|----------------------------------------|------------------------------|
| Inverter Type | G10 |
| Ultra Low Frequency Torque Control | Yes |
| Power Factor Correction | Yes |
| Compressor Type | High Eff. Two Stage Rotary |
| Refrigerant Type | R410A |
| Basepan With Electric Heater | YES |
| Compressor With Electric Heater | YES |
| Indoor & Outdoor Fin Coating | Acrylic Resin/Anti-Corrosion |
| Intelligent Defrosting | YES |
| Intelligent Preheating | YES |
| Low Voltage Startup | YES |
| Memory/Power Failure Recovery | YES |
| Self Diagnosis | YES |
| Wired Controller Interface | NO |
| WIFI Interface Capable | YES |
| Indoor Fan Type | Crossflow |
| Multi Fan Speeds | 7 Speeds |
| Indoor Unit Display | YES |
| Advance Filter | Optional (see Filter Kits) |
| Auxiliary Electrical Heater | NO |
| Ventilation (Outdoor Air) | NO |
| REMOTE CONTROLLER FUNCTIONS | |
| Auto Mode | YES |
| Auto Fan | YES |
| Auto Swing (Horizontal Auto Swing) | YES |
| Auto Swing - 180°(Vertical Auto Swing) | YES |
| Clock on Remote Controller | YES |
| Dry Mode | YES |
| Dry Anti-Mildew (X-Fan) Mode | YES |
| Energy Saving Mode | NO |
| Dirty Filter Alert | NO |
| Fan Speed Control (7 speeds) | YES |
| I Feel Function | YES |
| Privacy Lock on Remote Controller | YES |
| Quiet Mode | YES |
| Room Temperature Display | NO |
| Sleep Mode | YES |
| 4 Sleep Modes Options | YES |
| Timer Mode | YES |
| Turbo Mode | YES |
| Display On/Off Control | YES |
| Freeze Guard Mode | NO |
| Display On/Off Control | YES |
| Freeze Guard Mode | YES |
| Power Failure Mode | YES |

COOLING PERFORMANCE (BtuH)*

| Outdoor Ambient Temperature (DB) | Indoor Entering Air Temperatures | | | | | |
|----------------------------------|----------------------------------|-------|---------|-------|---------|-------|
| | 68°F DB | | 73°F DB | | 80°F DB | |
| | 57°FWB | | 61°FWB | | 67°FWB | |
| | TC | SHC | TC | SHC | TC | SHC |
| 0°F | 8274 | 6639 | 8517 | 6842 | 8975 | 7200 |
| 5°F | 8903 | 7142 | 9165 | 7361 | 9657 | 7746 |
| 14°F | 10160 | 8148 | 10462 | 8398 | 11022 | 8838 |
| 23°F | 10789 | 8651 | 11110 | 8916 | 11705 | 9384 |
| 32°F | 11418 | 9154 | 11758 | 9435 | 12387 | 9930 |
| 41°F | 12047 | 9657 | 12407 | 9954 | 13069 | 10476 |
| 50°F | 12612 | 10090 | 12943 | 10345 | 14666 | 10954 |
| 59°F | 13241 | 10593 | 13591 | 10864 | 15348 | 11500 |
| 68°F | 14498 | 11599 | 14888 | 11901 | 16713 | 12592 |
| 77°F | 15127 | 12102 | 15536 | 12419 | 17396 | 13138 |
| 86°F | 15756 | 12605 | 16184 | 12938 | 18078 | 13684 |
| 95°F | 15829 | 12679 | 16300 | 13071 | 17182 | 13745 |
| 104°F | 15200 | 12176 | 15652 | 12552 | 16500 | 13199 |
| 113°F | 14571 | 11673 | 15004 | 12034 | 15817 | 12653 |
| 122°F | 13314 | 10667 | 13707 | 10997 | 14452 | 11561 |
| 129°F | 12685 | 10164 | 13059 | 10478 | 13770 | 11015 |

HEATING PERFORMANCE (BtuH)*

| Outdoor Ambient Temperature (DB) | Indoor Entering Air Temperatures | | | | | |
|----------------------------------|----------------------------------|-----|---------|-----|---------|-----|
| | 68°F DB | | 73°F DB | | 80°F DB | |
| | 57°FWB | | 61°FWB | | 67°FWB | |
| | TC | SHC | TC | SHC | TC | SHC |
| -22°F | 8589 | | 8556 | | 8533 | |
| -13°F | 9760 | | 9724 | | 9698 | |
| -4°F | 12200 | | 12155 | | 12123 | |
| 0°F | 12289 | | 12247 | | 12215 | |
| 6°F | 13304 | | 13259 | | 13227 | |
| 10°F | 13743 | | 13697 | | 13664 | |
| 16°F | 14590 | | 14542 | | 14507 | |
| 19°F | 14797 | | 14750 | | 14695 | |
| 24°F | 15658 | | 15606 | | 15548 | |
| 32°F | 17094 | | 17037 | | 16979 | |
| 41°F | 18263 | | 18200 | | 18139 | |
| 43°F | 18410 | | 18359 | | 18297 | |
| 47°F | 17858 | | 17808 | | 17750 | |
| 53°F | 17322 | | 17275 | | 17220 | |
| 59°F | 16023 | | 15980 | | 15927 | |
| 64°F | 14773 | | 14734 | | 14685 | |
| 70°F | 13887 | | 13853 | | 13806 | |
| 75°F | 12915 | | 12884 | | 12740 | |
| 78°F | 12140 | | 12112 | | 12006 | |

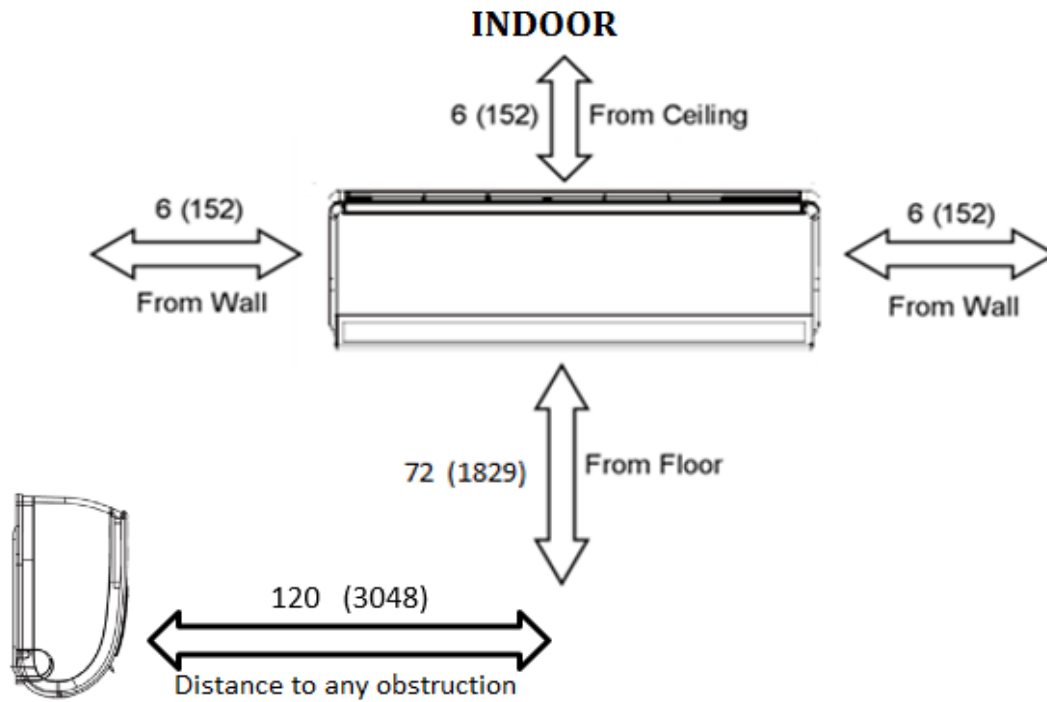
* Maximum system capacity

TC- Total Capacity (BtuH)

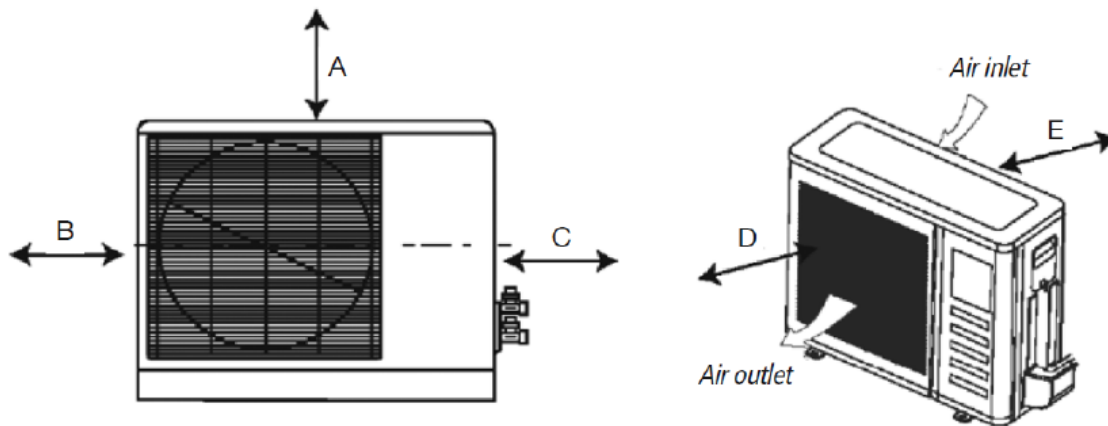
SHC- Sensible Capacity (BtuH)

MINIMUM SPACING REQUIREMENTS

Units: inch (mm)



Minimum Outdoor Clearances



| Outdoor Unit | Minimum Distances in (mm) |
|--------------|---------------------------|
| A | 20 (500) |
| B | 12 (305) |
| C | 20 (500) |
| D | 80 (2032) |
| E | 12 (305) |

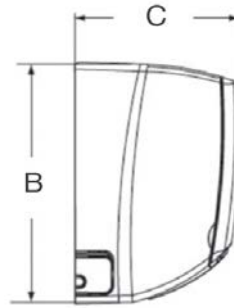
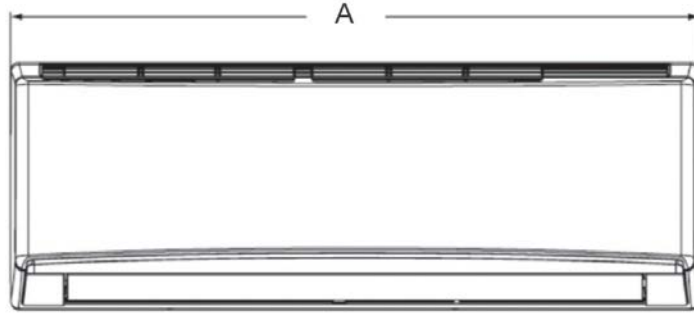
DIMENSIONAL SPECIFICATIONS

TW12HQ3D6D

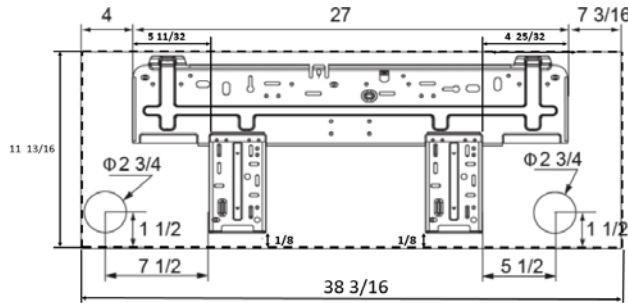
INDOOR UNIT DIMENSIONS

Units: inch

Model No: TW12HQ3D6DI



| Dimensions | |
|------------|------|
| A | 38.2 |
| B | 11.8 |
| C | 8.9 |



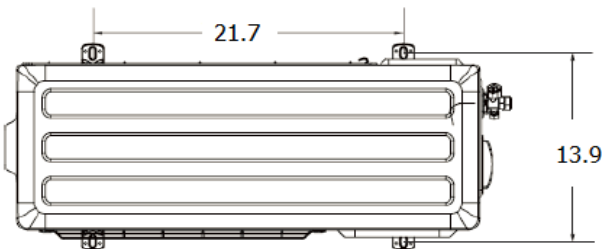
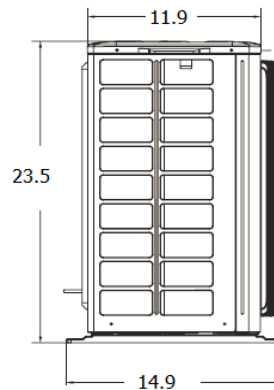
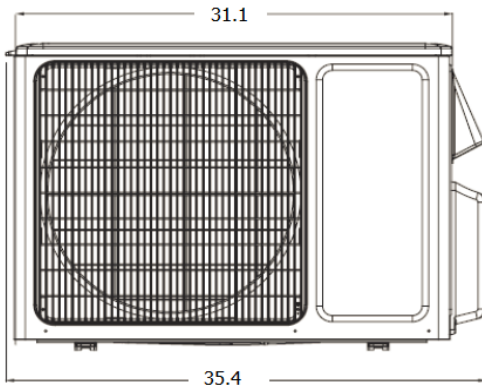
Weight (Net/Shipping) 29.8/36.4 LBS

| | |
|-------------------|------------------|
| Liquid Line Valve | 1/4-in OD Flared |
| Gas Line Valve | 1/2-in OD Flared |
| Drain Connector | 5/8-in OD |

OUTDOOR UNIT DIMENSIONS

Units: inch

Model No: TW12HQ3D6DO



| | |
|-------------------|------------------|
| Liquid Line Valve | 1/4-in OD Flared |
| Gas Line Valve | 1/2-in OD Flared |

Weight (Net/Shipping) 99.2/105.8 LBS

Notes:

1. Recommended Interconnecting Cable Type 14 AWG 4 Stranded Copper Conductors THHN 600V Wire
2. Power wiring cable size must comply with applicable national and local codes.
3. Test conditions are based on AHRI 210/240.

Specifications are subject to change without notice. Manufacturer reserves the right to discontinue or modify specifications or designs without notice or without incurring obligations. All rights reserved.