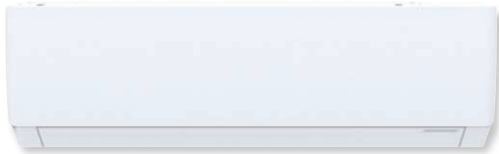




SPLIT TYPE

Pular 25

Model: TWH12AG25A2A



Model		TWH12AG25A2A	
Power Supply	Rated Voltage	V~	115
	Rated Frequency	Hz	60
	Phases	-	1
Power Supply Mode		-	Outdoor
Cooling Capacity		Btu/h	12000
Heating Capacity		Btu/h	12000
Cooling Power Input		W	961
Heating Power Input		W	923
Cooling Power Current		A	10.4
Heating Power Current		A	10
Rated Input		W	1500
Rated Cooling Current		A	15.2
Rated Heating Current		A	16.3
Air Flow Volume		CFM	400/365/330/288/265/247/230/212
Dehumidifying Volume		Pint/h	2.96
EER		(Btu/h)/W	12.5
COP		(Btu/h)/W	13
SEER		-	24
HSPF		-	11
Application Area		yd ²	19-29
Model of indoor unit		TWH12AG25A2AI	
Indoor Unit	Fan Type	-	Cross-flow
	Fan Diameter Length(DXL)	mm	Φ98 × 630
	Cooling Speed	r/min	1450/1200/1120/1050/980/920/750/500
	Heating Speed	r/min	1450/1200/1140/1080/1020/960/900
	Fan Motor Power Output	W	15
	Fan Motor RLA	A	0.3
	Fan Motor Capacitor	μF	/
	Evaporator Form	-	Aluminum Fin-copper Tube
	Evaporator Pipe Diameter	mm	Φ5
	Evaporator Row-fin Gap	mm	2-1.4
	Evaporator Coil Length (L × D × W)	mm	634 × 22.8 × 304.8
	Swing Motor Model	-	MP24HF / MP24AK / MP24BA
	Swing Motor Power Output	W	1.5 / 1.5 / 1.5
	Fuse Current	A	30
	Sound Pressure Level	dB (A)	Cooling: 43/38/36/34/32/30/27 Heating: 44/38/36/34/32/30/28
	Sound Power Level	dB (A)	Cooling: 53/48/46/44/42/40/37 Heating: 54/48/46/44/42/40/38
	Dimension (W × H × D)	inch	32 31/64 × 11 17/32 × 7 23/32
	Dimension of Carton Box (L × W × H)	inch	34 1/4 × 13 47/64 × 10 1/8
	Dimension of Package (L × W × H)	inch	34 29/64 × 14 3/8 × 10 35/64
	Net Weight	lb	20.9
Gross Weight	lb	25.4	

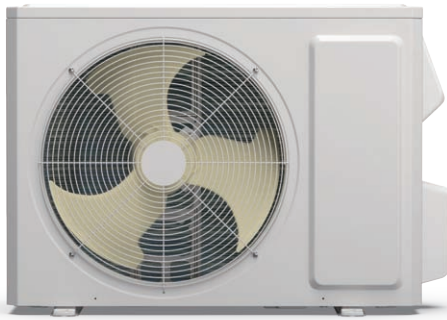
Job Name:

Schedule Reference:

Date:



Model: TWH12AG25A2A



Outdoor Unit Model		TWH12AG25A2AO	
Outdoor Unit	Compressor Manufacturer	-	Shanghai Highly Electrical Appliances Co.,Ltd.
	Compressor Model	-	GSD098XKUA7JL6B
	Compressor Oil	-	ACS-68R or equivalent 320 ± 20ml
	Compressor Type	-	Rotary
	Compressor LRA.	A	/
	Compressor RLA	A	15
	Compressor Power Input	W	784
	Compressor Overload Protector	-	/
	Throttling Method	-	Electron expansion valve
	Set Temperature Range	°F	61~86
	Cooling Operation Ambient Temperature Range	°F	-4~122
	Heating Operation Ambient Temperature Range	°F	-22~86
	Condenser Form	-	Aluminum Fin-copper Tube
	Condenser Pipe Diameter	mm	Φ7.94
	Condenser Rows-fin Gap	mm	2~1.4
	Condenser Coil Length (L × D × W)	mm	761.5 × 38.1 × 528
	Fan Motor Speed	rpm	900
	Fan Motor Power Output	W	30
	Fan Motor RLA	A	0.4
	Fan Motor Capacitor	μF	/
	Outdoor Unit Air Flow Volume	CFM	1294.7
	Fan Type	-	Cross-flow
	Fan Diameter	mm	Φ420
	Defrosting Method	-	Automatic Defrosting
	Climate Type	-	T1
	Isolation	-	I
	Moisture Protection	-	IPX4
	Permissible Excessive Operating Pressure for the Discharge Side	MPa	4.3
	Permissible Excessive Operating Pressure for the Suction Side	MPa	2.5
	Sound Pressure Level	dB (A)	52
	Sound Power Level	dB (A)	62
	Dimension (W × H × D)	inch	31 37/64 × 1 27/32 × 13 25/32
Dimension of Carton Box (L × W × H)	inch	34 7/32 × 5 35/64 × 23 25/64	
Dimension of Package (L × W × H)	inch	34 21/64 × 5 43/64 × 24 13/32	
Net Weight	lb	73.9	
Gross Weight	lb	79.4	
Refrigerant	-	R410A	
Refrigerant Charge	oz	42.3	
Connection Pipe	Connection Pipe Length	ft	16.4
	Connection Pipe Gas Additional Charge	oz/ft	0.215
	Outer Diameter Liquid Pipe	inch	1/4
	Outer Diameter Gas Pipe	inch	1/2
	Max Distance Height	ft	32.8
	Max Distance Length	ft	65.6
Note: The connection pipe applies metric diameter.			

The above data is subject to change without notice. Please refer to the nameplate of the unit.

Job Name:

Schedule Reference:

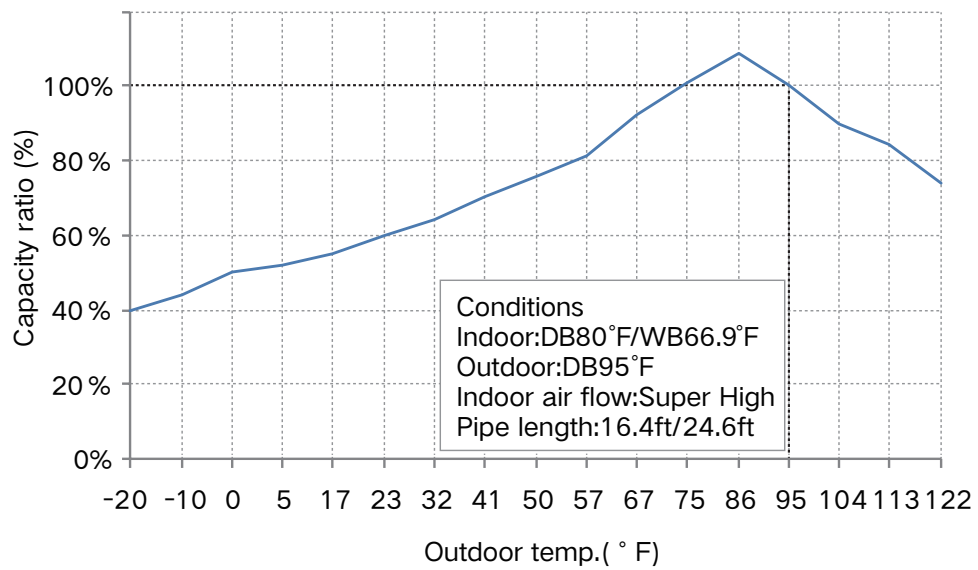
Date:

Specification are subject to change without notice.

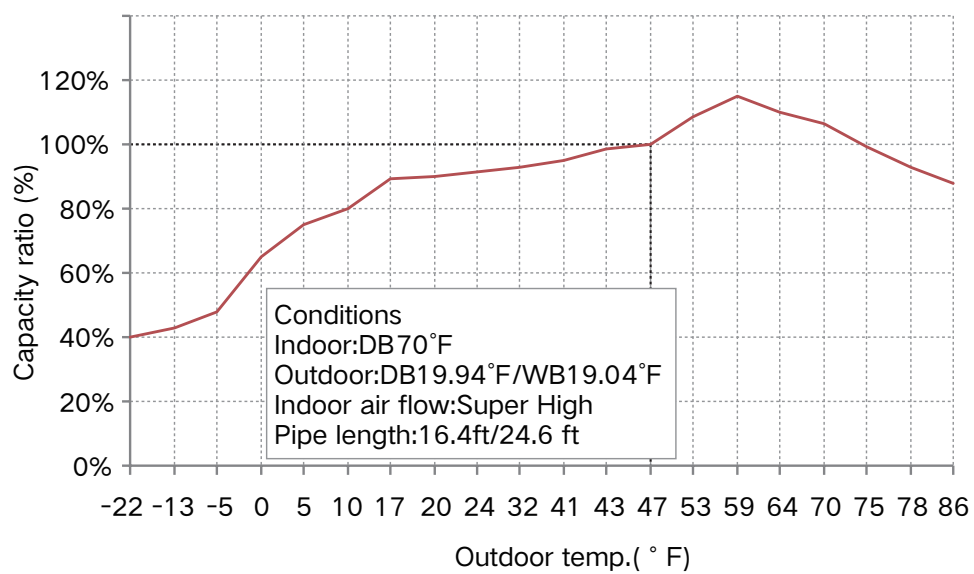


Capacity Variation Ratio According to Temperature

Cooling:

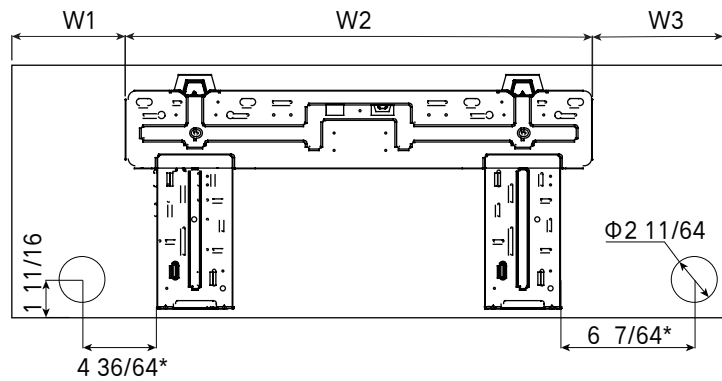
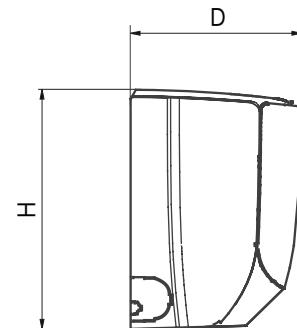
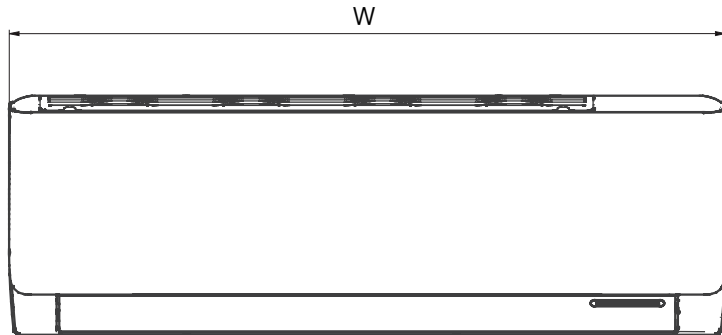


Heating:





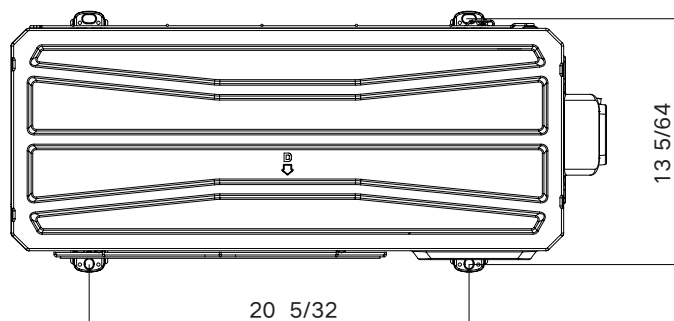
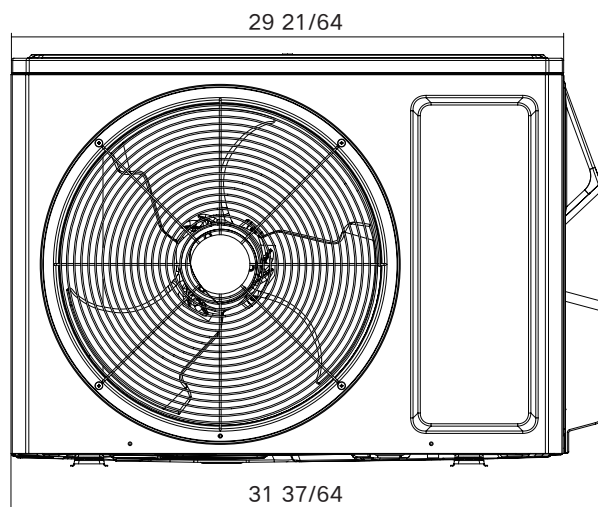
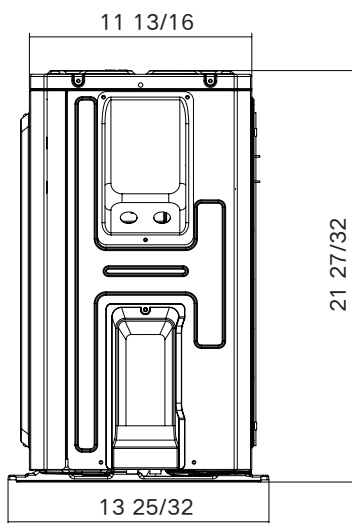
Outline Dimension Diagram



Unit: inch

Model	W	H	D
AGC	32 31/64	11 17/32	7 23/32
	W1	W2	W3
	4 29/64	21 11/32	6 11/16

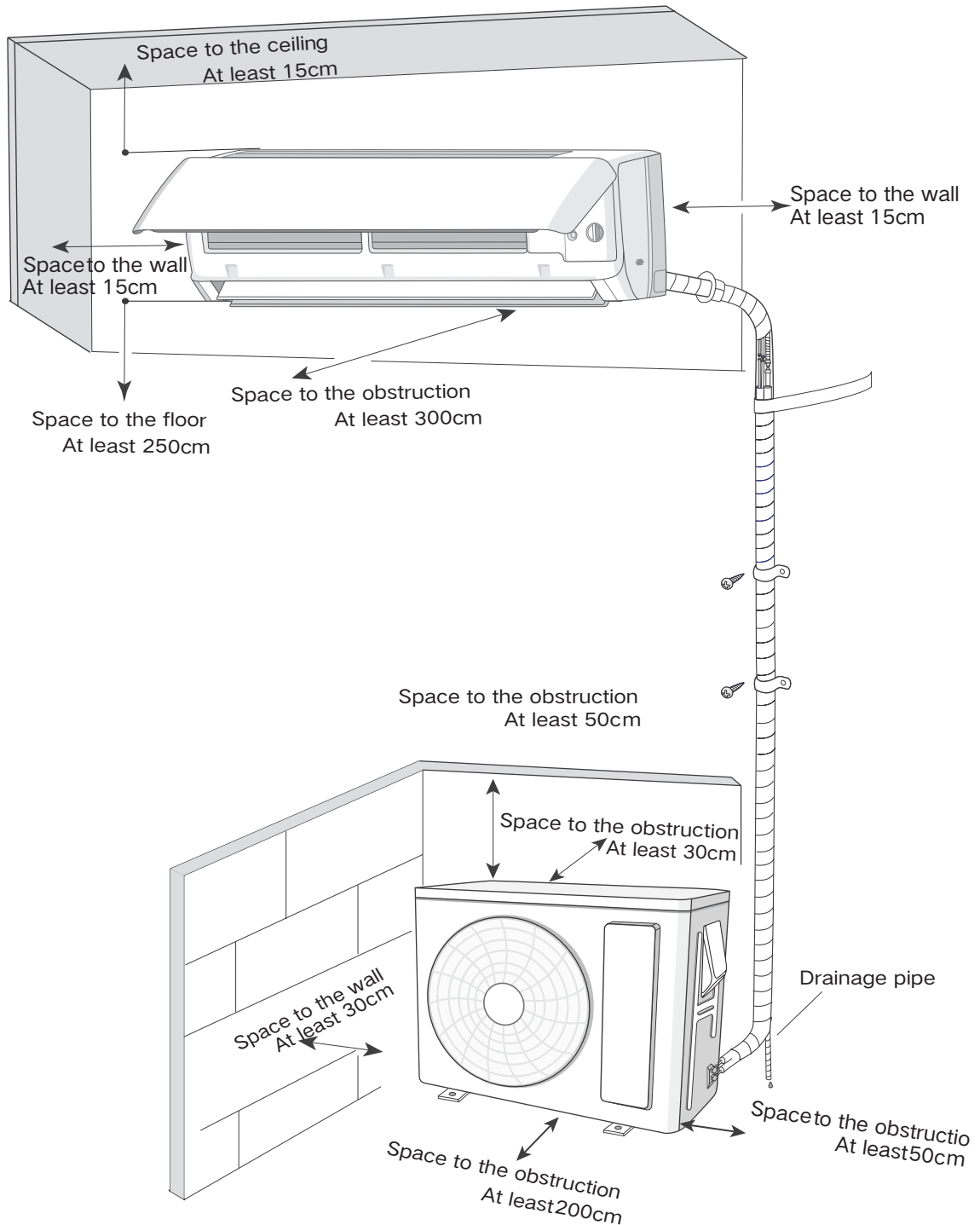
* Recommending distances



Unit: inch



Installation Dimension Diagram



GREE ELECTRIC APPLIANCES, INC. OF ZHUHAI

Add: West Jinji Rd., Qianshan, Zhuhai, Guangdong, China, 519070

Tel: (+86-756) 8522218 Fax: (+86-756)8669426 E-mail: gree@gree.com.cn www.gree.com