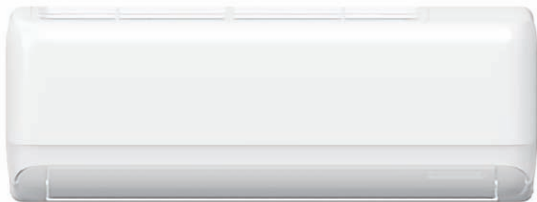




SPLIT TYPE

SUBMITTAL

Model: TWH18ATDXD-D3DNA3A



Model		TWH18ATDXD-D3DNA3A	
Power Supply	Rated Voltage	V~	208/230
	Rated Frequency	Hz	60
	Phases	-	1
Power Supply Mode		-	Outdoor
Cooling Capacity		Btu/h	17600
Heating Capacity		Btu/h	19100
Cooling Power Input		W	1750
Heating Power Input		W	1750
Cooling Current		A	7.95
Heating Current		A	7.95
Rated Input		W	2300
Rated Current		A	9.5
EER		(Btu/h)/W	10.05
COP		(Btu/h)/W	10.90
SEER		-	17.5(SEER) 17.5(SEER2)
HSPF		-	9(HSPF) 8.5(HSPF2)
Air Flow Volume		CFM	618/512/471/436/395/336/283
Dehumidifying Volume		Pint/d	3.8
Application Area		yd ²	28-41

Indoor Unit Model		TWH18ATDXD-D3DNA3AI	
Indoor Unit	Fan Type	-	Cross-flow
	Fan Diameter Length(D × L)	mm	Φ106 × 706
	Cooling Speed	r/min	1350/1200/1120/1050/980/860/750
	Heating Speed	r/min	1350/1200/1120/1050/950/850/750
	Fan Motor Power Output	W	45
	Fan Motor RLA	A	0.7
	Fan Motor Capacitor	μ F	/
	Heater Power Input	W	/
	Evaporator Form	-	Aluminum Fin-copper Tube
	Evaporator Pipe Diameter	mm	Φ5
	Evaporator Row-fin Gap	mm	2-1.2
	Evaporator Coil Length (L × D × W)	mm	700 × 22.8 × 381
	Swing Motor Model	-	MP35CJ
	Swing Motor Power Output	W	2.5
	Fuse Current	A	3.15
	Sound Pressure Level	dB (A)	Cooling:50/46/44/42/40/36/32 Heating:49/46/44/41/38/34/30
	Sound Power Level	dB (A)	Cooling:60/56/54/52/50/46/42 Heating:59/56/54/51/48/44/40
	Dimension (W × H × D)	inch	37 1/8 × 13 7/64 × 9 11/16
	Package Carton Dimension (L × W × H)	inch	39 7/32 × 15 5/8 × 12 9/32
	Package Dimension (L × W × H)	inch	39 13/32 × 15 15/16 × 12 43/64
	Net Weight	lb	28.7
	Gross Weight	lb	34.2

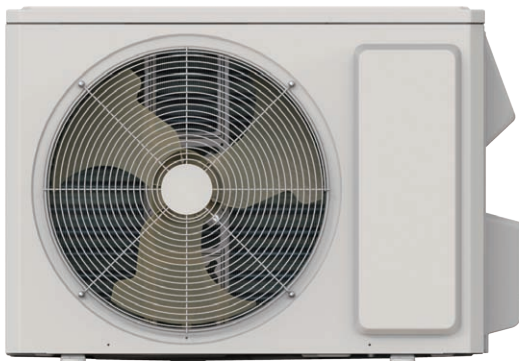
Job Name:

Schedule Reference:

Date:



Model: TWH18ATDXD-D3DNA3A



Outdoor Unit Model		TWH18ATDXD-D3DNA3AO		
Outdoor Unit	Compressor Manufacturer	-	ZHUHAI LANDA COMPRESSOR CO. LTD.	
	Compressor Model	-	QXF-A139ZH170A	
	Compressor Oil	-	FW68DA or equivalent	
	Compressor Type	-	Rotary	
	Compressor LRA.	A	25.0	
	Compressor RLA	A	9.35	
	Compressor Power Input	W	1295	
	Compressor Overload Protector	-	/	
	Fan Type	-	Axial-flow	
	Fan Diameter	mm	Φ420	
	Fan Motor Speed	rpm	940	
	Fan Motor Power Output	W	30	
	Fan Motor RLA	A	0.9	
	Fan Motor Capacitor	μF	/	
	Outdoor Unit Air Flow Volume	CFM	1480	
	Condenser Form	-	Aluminum Fin-copper Tube	
	Condenser Pipe Diameter	mm	Φ7	
	Condenser Rows-fin Gap	mm	2-1.4	
	Condenser Coil Length (L × D × W)	mm	787 × 23 × 514	
	Permissible Excessive Operating Pressure for the Discharge Side	MPa	4.3	
	Permissible Excessive Operating Pressure for the Suction Side	MPa	2.5	
	Maximum Allowable Pressure	MPa	4.3	
	Set Temperature Range	°F	61~86	
	Cooling Operation Ambient Temperature Range	°F	0~115	
	Heating Operation Ambient Temperature Range	°F	-13~75	
	Throttling Method	-	Capillary	
	Defrosting Method	-	Automatic Defrosting	
	Climate Type	-	T1	
	Isolation	-	I	
	Moisture Protection	-	IPX4	
	Sound Pressure Level	dB (A)	57	
	Sound Power Level	dB (A)	67	
	Dimension (W × H × D)	inch	31 37/64 × 21 27/32 × 13 25/32	
	Dimension of Carton Box (L × W × H)	inch	34 7/32 × 15 35/64 × 23 25/64	
	Dimension of Package(L × W × H)	inch	34 21/64 × 15 43/64 × 24 13/32	
	Net Weight	lb	71.7	
	Gross Weight	lb	77.2	
	Refrigerant	-	R410A	
	Refrigerant Charge	oz	44.1	
	Connection Pipe	Length	ft	24.6
		Gas Additional Charge	oz/ft	0.2
		Outer Diameter Liquid Pipe	inch	1/4
		Outer Diameter Gas Pipe	inch	1/2
		Max. Height Distance	ft	32.8
		Max. Length Distance	ft	82
Note: The connection pipe applies metric diameter.				

The above data is subject to change without notice. Please refer to the nameplate of the unit.

Job Name:

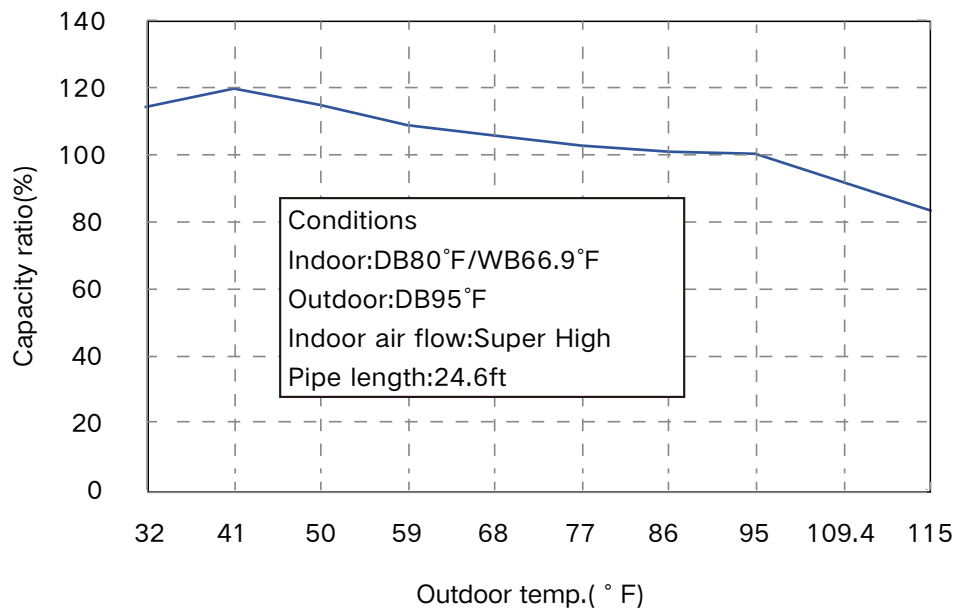
Schedule Reference:

Date:

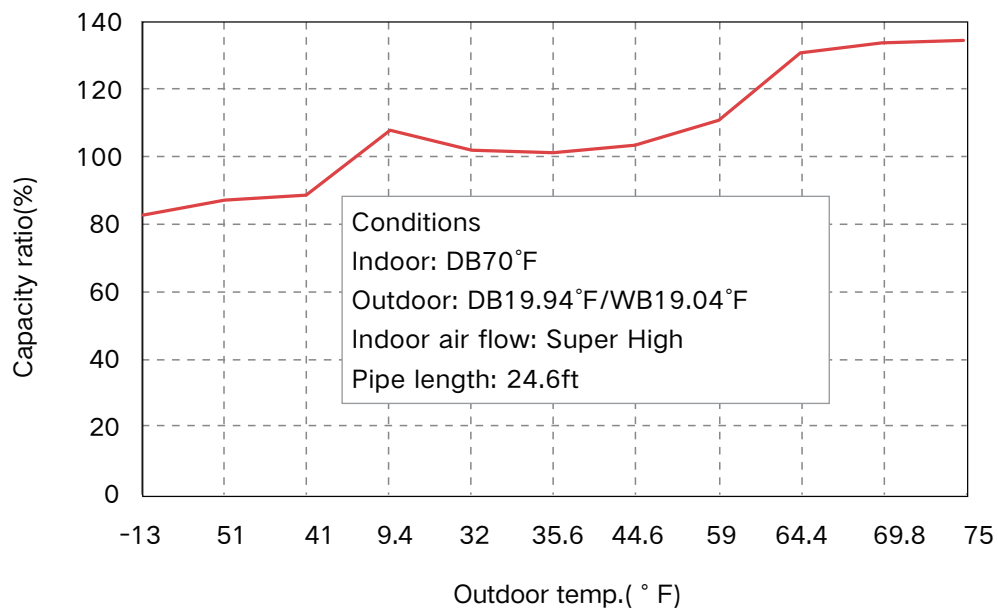


Capacity Variation Ratio According to Temperature

Cooling

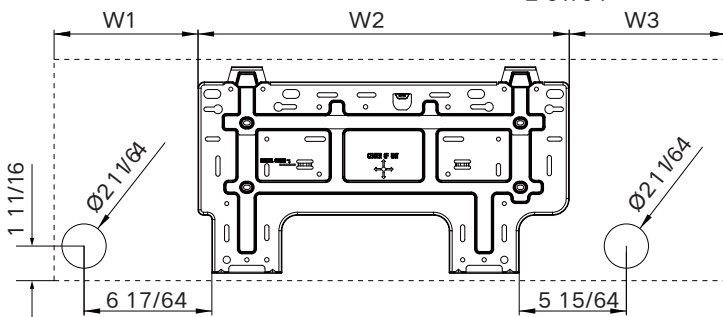
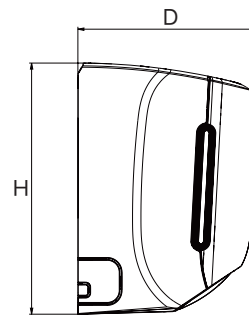
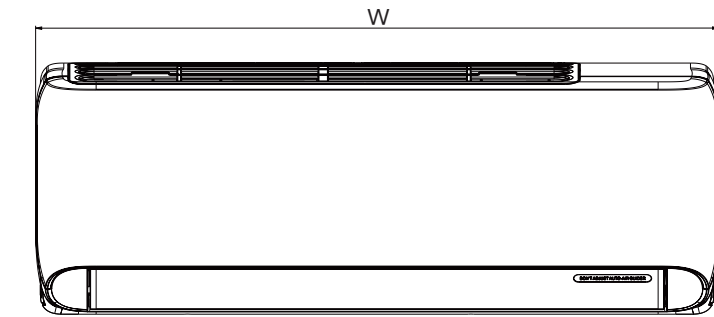


Heating



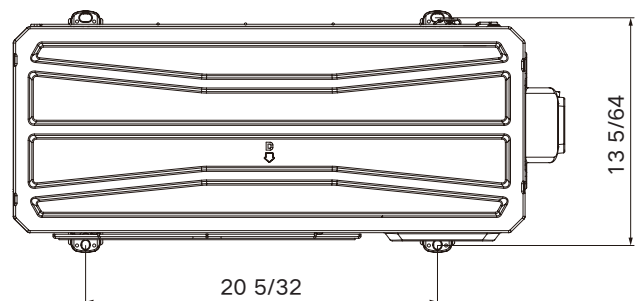
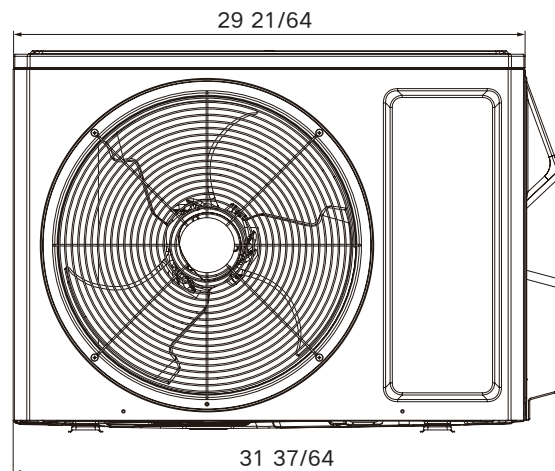
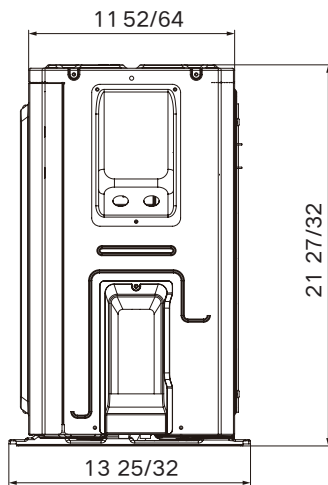


Outline Dimension Diagram



Unit: inch

Model	W	H	D
ATC	32 7/8	10 53/64	7 7/8
	W1	W2	W3
	7 3/64	18 5/32	7 11/16



Unit:inch



Installation Dimension Diagram

