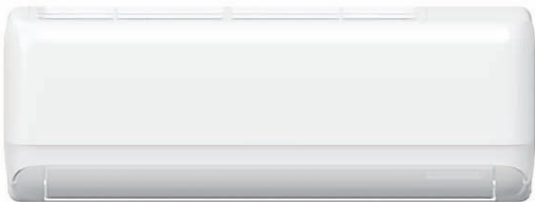




SPLIT TYPE

SUBMITTAL

Model: TWH09ATCXB-D3DNA3A



Model		TWH09ATCXB-D3DNA3A	
Power Supply	Rated Voltage	V~	208/230
	Rated Frequency	Hz	60
	Phases	-	1
Power Supply Mode		-	Outdoor
Cooling Capacity		Btu/h	9100
Heating Capacity		Btu/h	10000
Cooling Power Input		W	805
Heating Power Input		W	781
Cooling Current		A	3.75
Heating Current		A	3.9
Rated Input		W	1450
Rated Current		A	6.5
EER		(Btu/h)/W	11.30
COP		(Btu/h)/W	12.80
SEER		-	19.5(SEER)/19.5(SEER2)
HSPF		-	10(HSPF)8.8(HSPF2)
Air Flow Volume		CFM	353/282/264/229/211/194/158
Dehumidifying Volume		Pint/d	1.69
Application Area		yd ²	14-22
Indoor Unit Model		TWH09ATCXB-D3DNA3AI	
Indoor Unit	Fan Type	-	Cross-flow
	Fan Diameter Length(D × L)	mm	Φ94 × 630
	Cooling Speed	r/min	1350/1150/1100/1000/950/850/750
	Heating Speed	r/min	1300/1100/1050/1000/950/850/800
	Fan Motor Power Output	W	20
	Fan Motor RLA	A	0.30
	Fan Motor Capacitor	μF	1.5
	Heater Power Input	W	72
	Evaporator Form	-	Aluminum Fin-copper Tube
	Evaporator Pipe Diameter	mm	Φ5
	Evaporator Row-fin Gap	mm	2-1.3
	Evaporator Coil Length (L × D × W)	mm	634 × 22.8 × 266.7
	Swing Motor Model	-	MP24HF
	Swing Motor Power Output	W	1.5
	Fuse Current	A	3.15
	Sound Pressure Level	dB (A)	Cooling:41/37/34/32/31/28/26 Heating:41/36/34/32/31/28/26
	Sound Power Level	dB (A)	Cooling:51/47/44/42/41/38/36 Heating:51/46/44/42/41/38/36
	Dimension (W × H × D)	inch	32 7/8 × 10 53/64 × 7 7/8
	Package Carton Dimension (L × W × H)	inch	35 1/32 × 12 61/64 × 10 15/64
	Package Dimension (L × W × H)	inch	35 15/64 × 13 37/64 × 10 43/64
Net Weight	lb	19.8	
Gross Weight	lb	24.3	

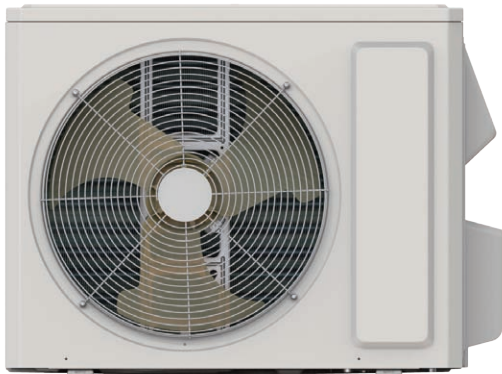
Job Name:

Schedule Reference:

Date:



Model: TWH09ATCXB-D3DNA3A



Outdoor Unit Model		TWH09ATCXB-D3DNA3AO	
Outdoor Unit	Compressor Manufacturer	-	ZHUHAI LANDA COMPRESSOR CO.,LTD
	Compressor Model	-	QXF-A082zC170
	Compressor Oil	-	ZE-G;ES RB68GX or equivalent
	Compressor Type	-	Rotary
	Compressor LRA.	A	/
	Compressor RLA	A	5.20
	Compressor Power Input	W	756.6
	Compressor Overload Protector	-	/
	Fan Type	-	Axial-flow
	Fan Diameter	mm	Φ400
	Fan Motor Speed	rpm	850
	Fan Motor Power Output	W	30
	Fan Motor RLA	A	0.40
	Fan Motor Capacitor	μF	/
	Outdoor Unit Air Flow Volume	CFM	1148
	Condenser Form	-	Aluminum Fin-copper Tube
	Condenser Pipe Diameter	mm	Φ7
	Condenser Rows-fin Gap	mm	1-1.2
	Condenser Coil Length (L × D × W)	mm	666 × 19.05 × 527
	Permissible Excessive Operating Pressure for the Discharge Side	MPa	4.3
	Permissible Excessive Operating Pressure for the Suction Side	MPa	2.5
	Maximum Allowable Pressure	MPa	4.3
	Set Temperature Range	°F	61~86
	Cooling Operation Ambient Temperature Range	°F	0~115
	Heating Operation Ambient Temperature Range	°F	-4~75
	Throttling Method	-	Capillary
	Defrosting Method	-	Automatic Defrosting
	Climate Type	-	T1
	Isolation	-	I
	Moisture Protection	-	IPX4
	Sound Pressure Level	dB (A)	51
	Sound Power Level	dB (A)	61
	Dimension (W × H × D)	inch	28 13/16 × 21 27/32 × 12 63/64
Dimension of Carton Box (L × W × H)	inch	31 9/64 × 14 11/16 × 23 15/64	
Dimension of Package(L × W × H)	inch	31 17/64 × 14 51/64 × 24 7/32	
Net Weight	lb	56	
Gross Weight	lb	61.7	
Refrigerant	-	R410A	
Refrigerant Charge	oz	24.7	
Connection Pipe	Length	ft	24.6
	Gas Additional Charge	oz/ft	0.215
	Outer Diameter Liquid Pipe	inch	1/4
	Outer Diameter Gas Pipe	inch	3/8
	Max. Height Distance	ft	39.37
Max. Length Distance	ft	65.62	

Note: The connection pipe applies metric diameter.

The above data is subject to change without notice. Please refer to the nameplate of the unit.

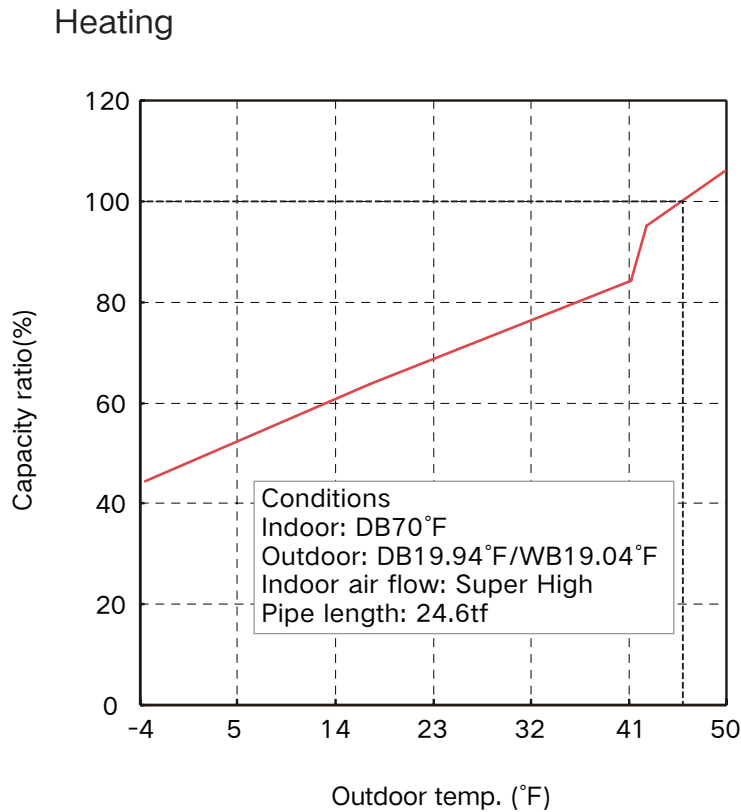
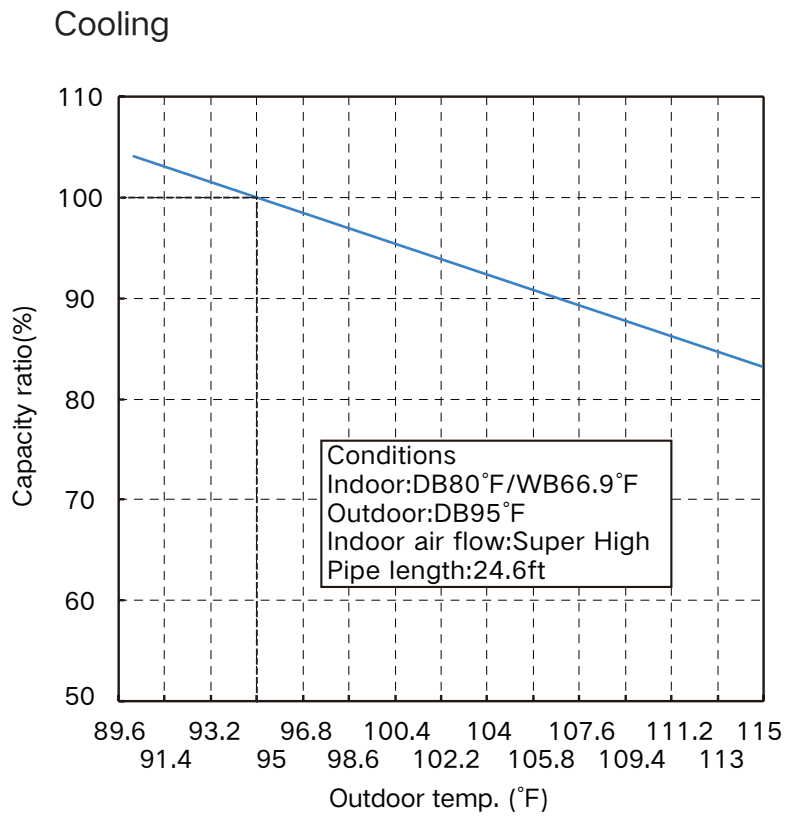
Job Name:

Schedule Reference:

Date:

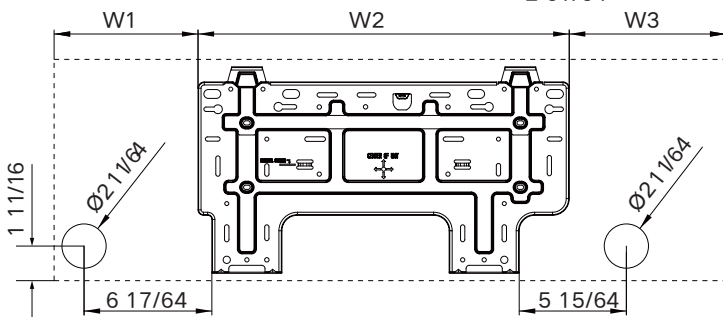
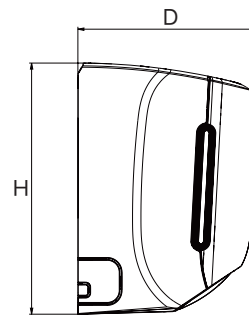
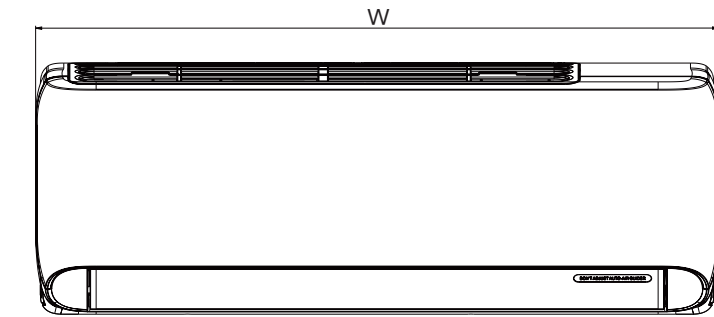


Capacity Variation Ratio According to Temperature



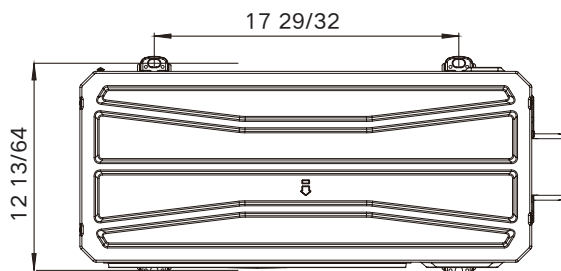
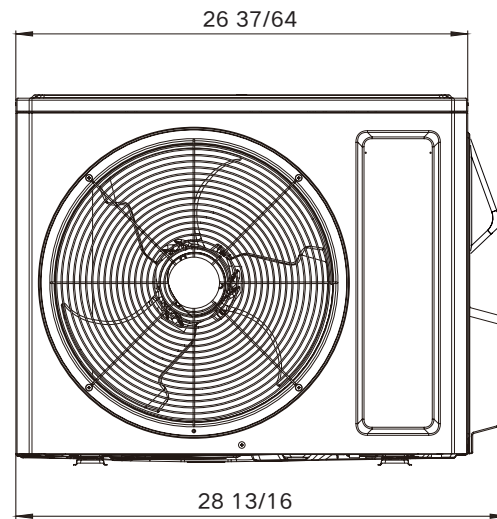
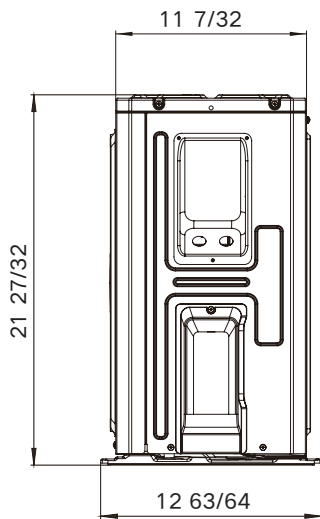


Outline Dimension Diagram



Unit: inch

Model	W	H	D
ATC	32 7/8	10 53/64	7 7/8
	W1	W2	W3
	7 3/64	18 5/32	7 11/16



Unit:inch



Installation Dimension Diagram

