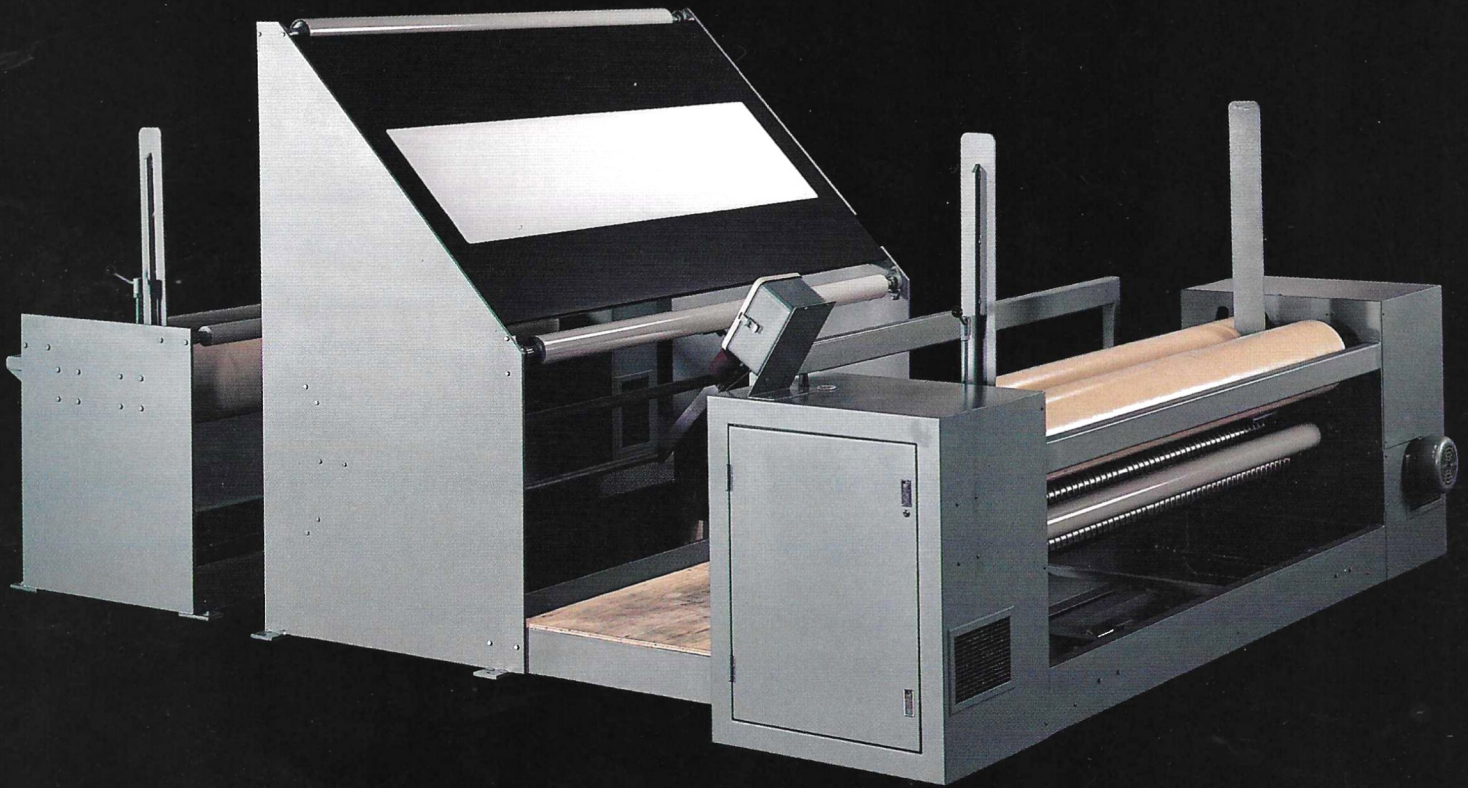




**Problem:**

Locating defects in fabrics while winding a consistent package



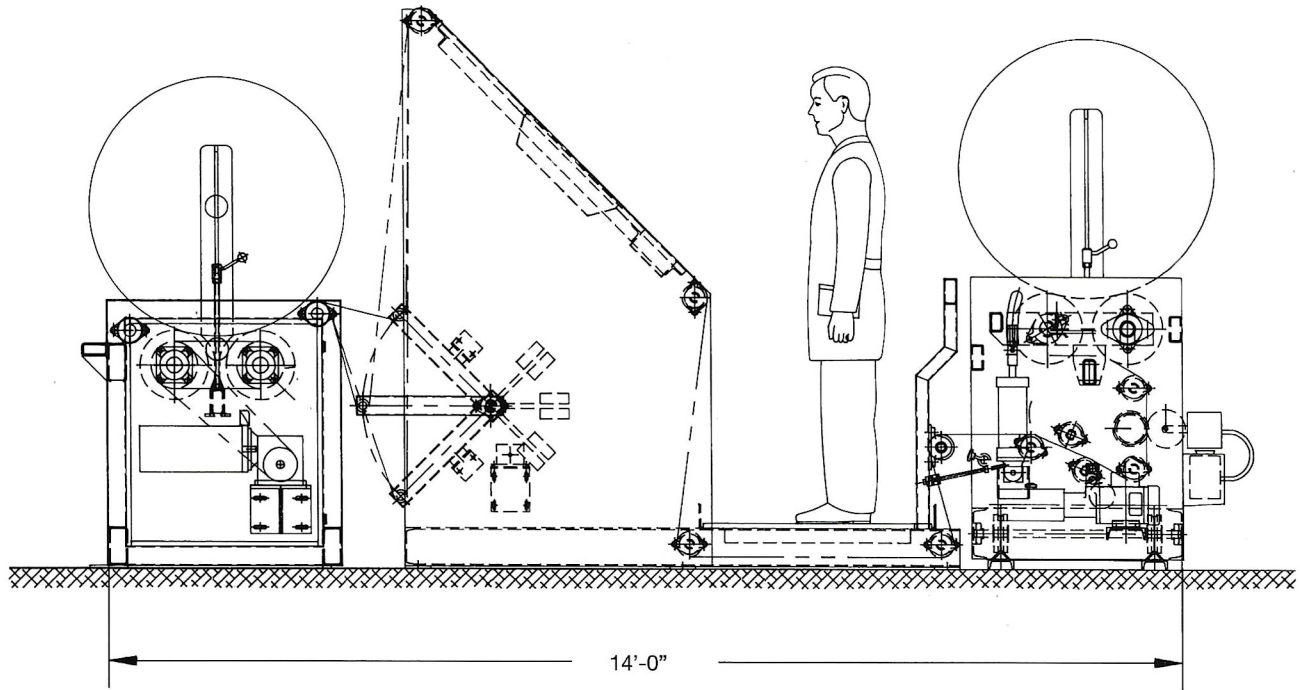
**Solution:**

**Menzel Inspection Machine**

When you ship a roll of fabric, you need to have the confidence that the fabric is of the highest quality, without sacrificing the quality of the roll or the speed in which it can be wound. With the Menzel Inspection Machine you win all the way around.

When it comes to adaptability, this machine will accommodate literally any type or brand of winding system. Whether your inspection requirements include the most delicate knits or the heaviest canvas, Menzel can design and build an inspection machine and drive system to handle your needs.

# Menzel Inspection Machine



## Standard Features

- Heavy-duty steel construction with rigid cross bracing.
- Operator's platform with non-slip walkboard, handrails and rolls to allow underpassage of web.
- Laminate covered inspection board.
- Standard inspection machines are available with surface, center and A-frame infeed and winding systems.

## Optional Features

- Trumeter yardage counter for accurate fabric measurement.
- Electro-hydraulic differential or DC variable-speed drive systems.
- Seconds winder for removing off-quality fabric.
- Adjustable-angle inspection board.
- Backlit inspection board and overhead lighting.
- Tube storage rack.
- Railway sewing machine.
- Automatic tension control system for precise winding.

- Guidance system with photo-electric edge sensor, solid-state control panel and hydraulic actuator to keep web straight during the winding and/or unwinding process.
- Polyband® Expander or bow roll for removal of wrinkles and creases.
- Oscillating Roll to eliminate selvage build-up.

NOTE: ALL MENZEL INSPECTION MACHINES ARE FULLY ASSEMBLED AND TESTED PRIOR TO DELIVERY.

## The Inspection Machine

is just one of the innovative solutions available from Menzel, the recognized leader in web handling and finishing equipment.

# MENZEL

For more information on the complete line of Menzel products, call or write:

## Menzel LP

P.O. Drawer 3308  
Spartanburg, SC 29304  
USA

Phone: 864 576 5690  
Fax: 864 574 4570  
E-mail: [menzel@menzelus.com](mailto:menzel@menzelus.com)  
[www.menzelus.com](http://www.menzelus.com)

