

REGULAR FEET



24983
Hinged Regular



142058N
Hinged Narrow



19336
Hinged Wide



127233
Hinged Extra Wide



12144H
Hinged Even Toe



52427
Regular with heel



12142
Solid Regular



142058SP
Hinged Narrow



149027
Needle Feed Foot



147308
Collars & Back Binding



12144
Solid Even Toe



B-1524-412-0B0
Regular w/Finger Guard



12144HLB
Hinged Lining (Blank)



12144HLD
Hinged Lining (2 Toes)



147391
Specially Grooved for Collar Scoring



P360
Hinge Narrow Left Toe



P361
Hinge Narrow Right Toe



4351H
Adjustable Left & Right Hinge Cording

ZIPPER FEET



40322SH
Narrow split Hinge



165010H
Lin-O-Vel Narrow Split Hinge w/ Up Turn Toes



165010
Narrow Solid Split



40322CS
Narrow Close Long Hole



121946
Medium Split Hinge



4351
Adjustable Left & Right Reg Cording

SOLID CORDING (ZIPPER) FEET

HINGED CORDING (ZIPPER) FEET



12435W Wide Right
12435N Narrow Right



31358W Wide Left
31358N Narrow Left



12435HW Wide Right Hinge
12435HN Narrow Right Hinge



31358HW Wide Left
31358HN Narrow Left



S526
Hinged Right Quilter

INVISIBLE ZIPPER FEET



S518S
Solid



S518
Hinged



S518NS
Hinged w/Center Plow



S518A
Adjustable



S518N
Narrow Hinged



S518NF
Needle Feed



S518T
Non-Stick PTFE



S523
Solid Right Quilter

SHIRRING FEET



120828
Regular Step



120828H
High Step



120828N
Narrow Step



S952
Adjustable Screw



S950
Adjustable 2 Block



P5R
Regular Tape Edge



P5W
Wide Tape Edge

PIPING FEET



Solid (LEFT)

36069L 1/16
36069L 1/8
36069L 3/16
36069L 1/4
36069L 3/8
36069L 1/2



Solid (RIGHT)

36069R 1/16
36069R 1/8
36069R 3/16
36069R 1/4
36069R 3/8
36069R 1/2



Hinged (LEFT)

36069HL 1/8
36069HL 3/16
36069HL 1/4



Hinged (RIGHT)

36069HR 1/8
36069HR 3/16
36069HR 1/4

Double Piping



36069DG 1/8
36069DG 3/16
36069DG 1/4

Right Combo



12435R 1/16
12435R 1/4
12435R 1/8
12435R 3/16

Left Combo



31358L 1/4
31358L 1/8
31358L 3/16



26650L 1/8
Left French



26650R 1/8
Right French



26650DG 1/8
Double French

GUIDE FEET

Solid Right Raising



12463 1/32
12463 1/16
12463 1/8
12463 3/16
12463 1/4
12463 5/16
12463 3/8
12463 1/2

Hinged Left Raising



12463HL 1/32
12463HL 1/16
12463HL 3/32
12463HL 1/8
12463HL 3/16
12463HL 1/4
12463HL 5/16
12463HL 3/8
12463HL 1/2

Hinged Right Raising



12463HR 1/32
12463HR 1/16
12463HR 3/32
12463HR 1/8
12463HR 3/16
12463HR 1/4
12463HR 5/16
12463HR 3/8
12463HR 1/2



S592
Hinge
Adjustable
Raising

Right Top Stitch



36465 1/32
36465 1/16
36465 3/32
36465 1/8
36465 3/16
36465 1/4
36465 5/16
36465 3/8
36465 1/2



Left Gauge
22L 1/32"
220 1/32" Narrow
221 1/16"
222 1/8"
223 3/16"
224 1/4"



Right Gauge
21R 1/32"
210 1/32" Narrow
211 1/16"
212 1/8"
213 3/16"
214 1/4"



Double Gauge
23 1/32"
230 1/32" Narrow
231 1/16"



Left Large Size
225L 5/16"
226L 3/8"
228L 1/2"



Right Large Size
215R 5/16"
216R 3/8"
218R 1/2"



Dual Compensating
21-14 1/32" w/1/4" Gauge
21-15 1/32" w/ 5/16" Gauge
211-14 1/16" w/ 1/4" Gauge
211-15 1/16" w/ 5/16" Gauge



for Understitching
R22-1 1/32" Left



Left w/ Needle Hole
22HL 1/32"
221H 1/16"
222H 1/8"



Right w/ Needle Hole
21HR 1/32"
211H 1/16"
212H 1/8"



230H 1/32"
Double w/ Needle Hole

Right & Left Strip Gauge Edge Guides on Both Sides



D231
1/32", 3/16"



D234
1/32", 1/4"

Narrow Hemming



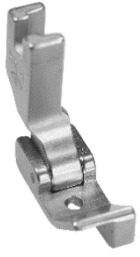
S543

Wide Hemming



S544

GUIDE FEET



SR1

Reverse Edge Guide

Swivel Edge Guide Feet



RIGHT

SP-18 1/16R
SP-18 1/8R
SP-18 3/16R
SP-18 1/4R
SP-18 5/16R
SP-18 3/8R



LEFT

SP-18 1/16L
SP-18 1/8L
SP-18 3/16L
SP-18 1/4L
SP-18 5/16L
SP-18 3/8L



SM20

1/32" Edge Stitch

Velvet Feet



S530S

Short

S531L

Long

Darning Foot



26936

Edge Guide Hemming Feet



S545

for many hemmers



S538

up to 1 / 4"



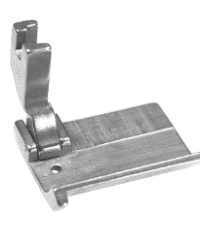
S539

up to 1 / 2"



S540

up to 1"



S541

for 1" +

Quilting Feet



160342



QS1



9G 9-Gauge Patent



35137 3-Gauge Patent



S524 Adjustable 2/Guide



S521 Hinged Quilter with 2 guides

Roller Feet



SPK3

Roller Foot



R141

Roller Foot with tail



R2

Spring Roller Foot



S517

Nylon Roller Foot



SDRF

Side Roller Foot



S515

Nylon Ring Foot

S516 Nylon Ring

Flip-up Roller Feet



12264 (20mm dia)

12265 (23mm dia)

12267 (27mm dia)



S194

Roller Foot with Presser Bar



62861

Roller Foot (only)

Feet For 20U,ETC



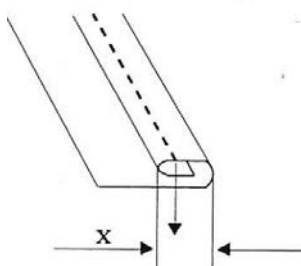
541566



541566MT

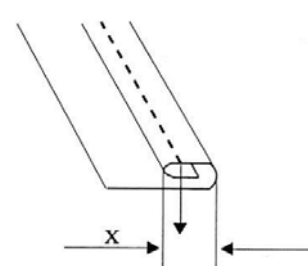
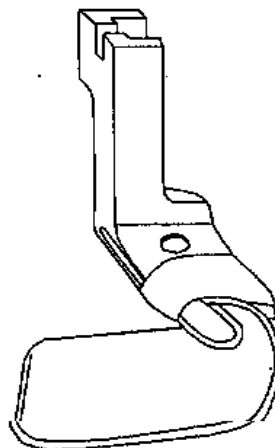
NEEDLE FEED						
						
24983NL Regular	B-1524-412-0B0 Regular with Heel	40322SHNF Narrow Up Turn Toes	165010HNF Narrow Zipper	127233NF Extra Wide with Heel	31358HN-NF Narrow Left Cording	12435HN-NF Narrow Right Cording
ANTI-FRICTION FEET						
						
24983T Regular PTFE glued	24545SWT Regular PTFE plated	24983MT (MT20) Regular PTFE molded (MT21 Shoe only)	MT18 Regular w/Heel	MT1 Regular PTFE even toes (MT2 Shoe only)	121946T Wide Zipper PTFE glued	
						
40322SHT Narrow Zipper PTFE glued	MT3 Narrow Zipper PTFE molded (MT4 Shoe only)	31358HNT Narrow Left Cording PTFE	12435HNT Narrow Right Cording PTFE	31358HWT Wide Left Cording PTFE	12435HWT Wide Right Cording PTFE	
	Right Compensating  MT21R 1/32 MT211R 1/16 MT212R 1/8 MT213R 3/16 MT214R 1/4	Left Compensating  MT22 1/32 MT221 1/16 MT222 1/8 MT223 3/16 MT224 1/4	Oil Cup Foot  S546	Center Needle Hole  MT9 PTFE (MT10 Shoe only)		
541566MT						
Hemming Feet			Feed for Binders			
						
S542 1/2	S542 3/4	S542 1	12142XW	12142AHBNF	12142C 3/4	12142C 7/8
					12142C 1	12142C 1-1/8
					12142C 1-1/4	12142C 1-3/8
					12142C 1-1/2	
Compensating for Binders		Miscellaneous Feet		  LOOKING for... Needles for all machines, Parts for Sewing, Cutting, Embroidery, Bag Closing, Quilting, Hosiery, Leather, Home Machines, and more, Scissors, Belts, Lubricants, Cleaners, Markers & Supplies Call us... we've probably got it!		
	601 for 5/8"-7/8"		270533 for Shirring & Cording			
	602 for 1" - 1-1/8"		536 Chain Cut Foot			
	604 for 1-1/4" +					

Ball Hemmer Feet (Double Fold)



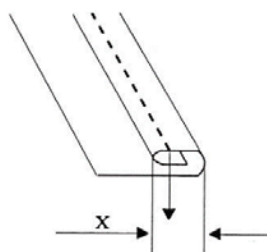
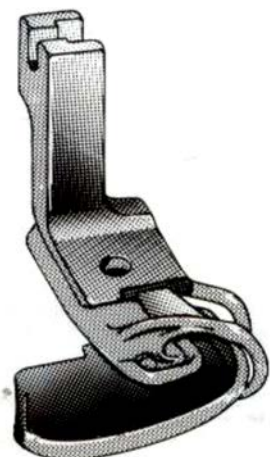
- 490358 1/32
- 490358 1/16
- 490358 1/8
- 490358 3/16
- 490358 1/4

Wire Hemmer Feet (Double Fold)



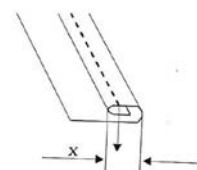
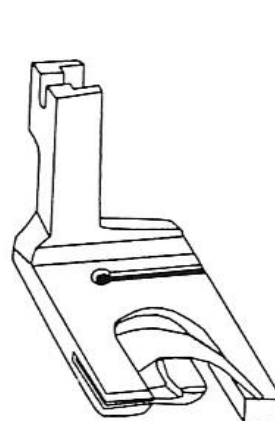
- 490360 1/32
- 490360 1/16
- 490360 3/32
- 490360 1/8
- 490360 3/16
- 490360 1/4

Spring Hemmer Feet (Double Fold)



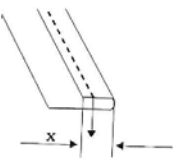
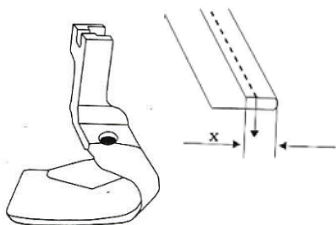
- 490359 1/32
- 490359 1/16
- 490359 1/8
- 490359 3/16
- 490359 1/4

Scroll Hemmer Feet



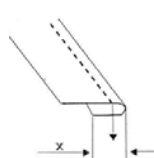
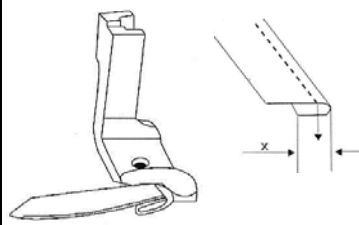
- 160344 1/16
- 120937 5/64
- 120803 1/8
- 120804 5/32
- 120805 3/16
- 120806 1/4
- 120807 5/16
- 120808 3/8
- 120809 7/16

Single Fold-Up Turn Hemmer Foot



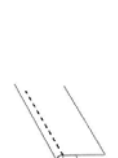
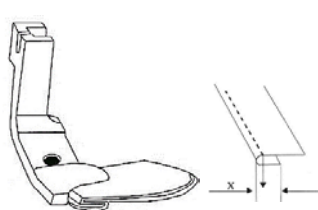
- 490357 3/16
- 490357 1/4

Single Fold-Down Turn Hemmer Foot



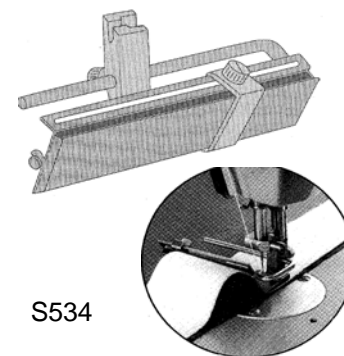
- 490355 3/16
- 490355 1/4

Reverse Down Turn 1-fold Hemmer Foot



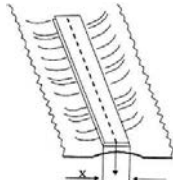
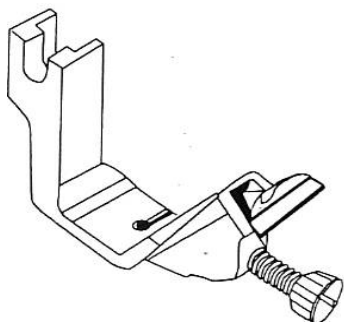
- 490356 3/16
- 490356 1/4

Deluxe Adjustable Tube Foot



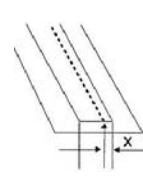
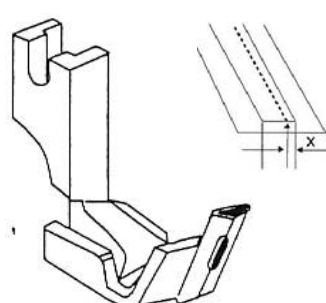
S534

Elastic Shirring Foot



- S537 1/8
- S537 3/16
- S537 1/4
- S537 3/8
- S537 1/2

Hinged Tube Feet



Available Sizes: 3/16", 1/4", 3/8", 1/2", 5/8", 3/4", 1"

Center Tube Feet:
S10C (specify size when ordering)

Left Tube Feet
S10L (specify size when ordering)

Right Tube Feet
S10R (specify size when ordering)

Illustrated Foot shows tube on Right