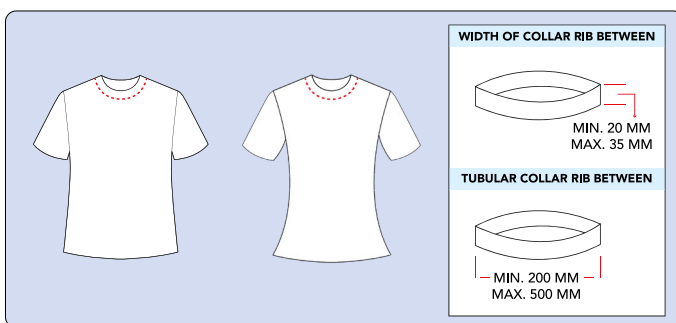


JTR-MO6914CX/CRU Series

Collar Rib Sewing Unit



TIMESAIVING				
TIME MANUEL METHOD	TIME AUTOMATED METHOD	TIMESAIVING PERCENT		
36 SEC	13 SEC	64%		
ADDITIONAL BENEFITS				
QUALITY	SPEED	CONSISTENCY	DESKILL OPERATION	WORKER ENVIRONMENT
✓	✓	✓	✓	✓



Highlights

- Perfect distribution of tension on collar thanks to upper transport feature
- Automatic presser foot lifter, waste fabric vacuuming and stitch counting features
- Height adjustable ergonomic table and stand
- Optional automatic collar rib joint detection and positioning system (Adjustable via touchscreen):
 - Always positions the collar rib joint at the same point and
 - Provides %30 faster collar placing operation
- Optional automatic size setting via touchpanel (S-M-L-XL-XXL...) increases productivity
- Optional neck tape attaching with/without tape feeder feature

TECHNICAL SPECIFICATION

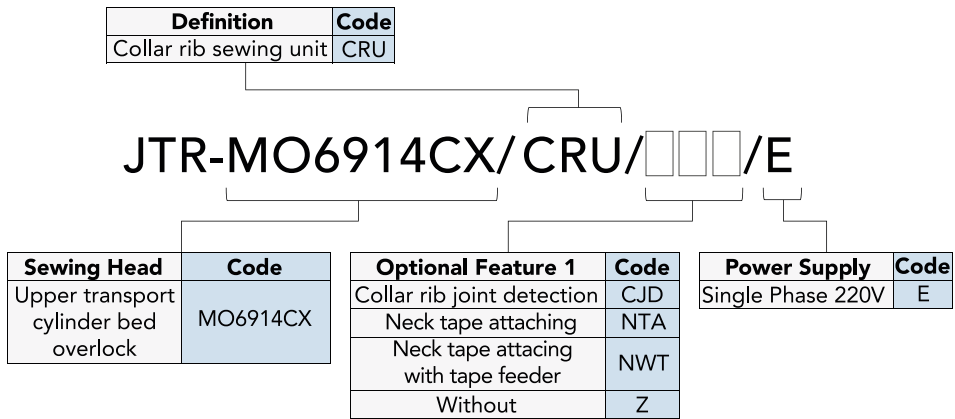
Machine Head (Standard)	MO-6914C/X81028
Motor	Direct Drive Servo Motor
Max. Sewing Speed	6.500 rpm
Capacity	2.200 - 2.500 t-shirts / 9 hours - JTR-MO6914CX/CRU/CJD/Z/E 2.000 - 2.200 t-shirts / 9 hours - JTR-MO6914CX/CRU/Z/E 1.800 - 2.000 t-shirts / 9 hours - JTR-MO6914CX/CRU/Z/(NTA or NWT)/E
Daily Piece Counter	Available
Min. - Max. Collar Length	200 mm - 500 mm
Min. - Max. Collar Width	20 mm - 35 mm
Min. - Max. Stitch Length	2.5 mm - 4 mm
Needle Type	GB - DCX27 - #11
Power Requirement / Power Consumption	Single-phase 220V-240V 50Hz / 1000 VA
Compressed Air / Air Consumption	6 Bar / 7L/min.

JTR-MO6914CX/CRU Series

Collar Rib Sewing Unit

WHEN YOU PLACE ORDERS

Please note when placing orders, that the model name should be written as follows.



SHIPMENT DETAILS	
Machine net weight	100 kg
Machine gross weight (Including palette and package)	140 kg
Machine net dimensions:	
Width	65 cm
Length	127 cm
Height	127 cm
Package dimensions:	
Width	80 cm
Length	140 cm
Height	150 cm
HS code	8452.21.00.00.00



JUKI
JUKI CORPORATION
 SEWING MACHINERY & SYSTEMS BUSINESS UNIT

2-11-1, TSURUMAKI, TAMA-SHI,
 TOKYO 206-8551, JAPAN
 PHONE: (81) 42-357-2370
 FAX: (81) 42-357-2274
<https://www.juki.co.jp/en>

* Specifications and appearance are subject to change without prior notice for improvement.
 * Read the instruction manual before putting the machine into service to ensure safety.
 * This catalogue prints with environment-friendly soyink on recycle paper.
 * Paper from responsible sources FSC™ C001712