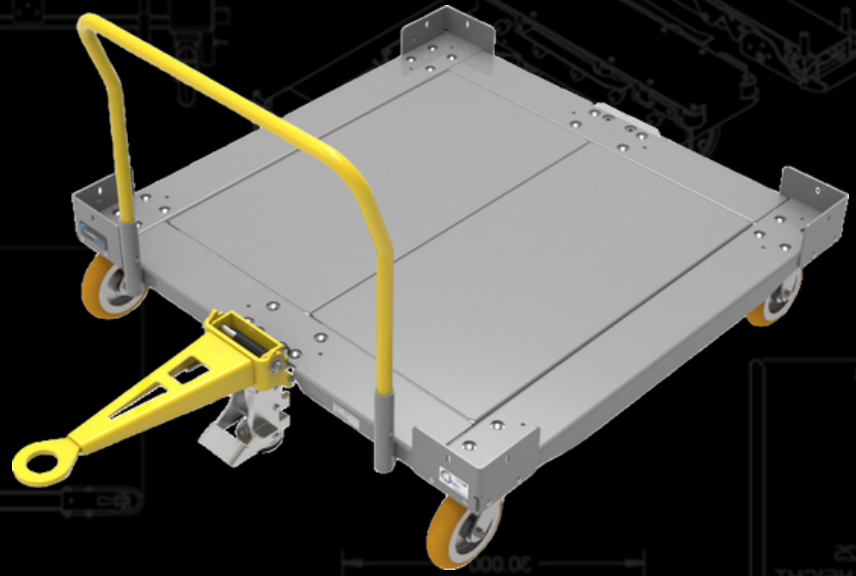




# LFRS-5050-20

## TONGUE & HITCH

Flatbed Style Rear Steer With Alligator Tongue and Floor Lock



**50"x 50"**  
Usable Deck Space



**2,000 LBS**  
Weight Capacity



**Rear Steer**  
Tight-Turn Technology

MODEL NUMBER	LFRS-5050-20
TARE WEIGHT	429 lbs
CAPACITY	2,000 lbs
STEERING	Rear
HANDLE	38"
DECK HEIGHT	10"
CASTER PACKAGE	2 rigid/2 swivel

Jtec's versatile flatbed carts are perfect for all types and sizes of dunnage. Specifically built with 11 gauge steel to accommodate standard pallet sizing and 48"x 45" knock-down container sizes.

Additional features include:



Powder Coat Finish Options

- Alligator Hitch
- Floor Lock Attachment
- Powder Coat Finish
- Removable Bolt-On Corner Captures
- Premium Apex Caster Package
- Flip-Up Style Tongue



SCAN ME

