



**SPLIT TYPE**



**SUBMITTAL**

**Model:  
TM36HMO**



Model		TM36HMO	
Power supply	Rated Voltage	V~	208/230
	Rated Frequency	Hz	60
	Phases	-	1
Cooling capacity		Btu/h	34000
Heating capacity		Btu/h	36000
Cooling Power Input		W	2830
Heating Power Input		W	2960
Cooling Current Input		A	12.56
Heating Current Input		A	13.13
Rated Power Input		W	4600/5200
Rated Current		A	20.41/22.61
EER		(Btu/h)/W	12.00
COP		(Btu/h)/W	12.16
SEER		-	21.00(SEER) 21.00(SEER2)
HSPF		-	10.00(HSPF) 10.00(HSPF2)
Outdoor Unit	Compressor Trademark	-	ZHUHAI LANDA COMPRESSOR CO., LTD.
	Compressor Model	-	QXFS-D280zX070C
	Compressor Refrigerant Oil Type	-	FW68DA or equivalent
	Compressor Type	-	Twin Rotary
	L.R.A	A	/
	Compressor Rated Load Amp (RLA)	A	18.2
	Compressor Power Input	W	2294
	Suggested Breakder Size	-	30
	Compressor Thermal Protector	-	KSD115°C HPC115/95U1
Throttling Method		-	Electron expansion valve

**Job Name:**

**Schedule Reference:**

**Date:**

Specification are subject to change without notice.



Outdoor Unit	Cooling Operation Ambient Temperature Range	°F	-22~118
	Heating Operation Ambient Temperature Range	°F	-22~75.2
	Condenser Material	-	Aluminum Fin-copper Tube
	Condenser Pipe Diameter	mm	Φ7.94
	Rows-Fin Gap(mm)	mm	3-1.6
	Coil length (l) × height (H) × coil width (L)	mm	1066 × 792 × 57.1
	Fan Motor Speed (rpm)	rpm	cooling:860 heating:860
	Output of Fan Motor	W	130
	Fan Motor RLA	A	/
	Fan Motor Capacitor	-	/
	Air Flow Volume of Outdoor Unit	CFM	3413
	Fan Type-Piece	-	Axial-flow
	Fan Diameter	mm	Φ550-205
	Defrosting Method	-	Automatic Defrosting
	Climate Type	-	T1
	Isolation	-	I
	Moisture Protection	-	IPX4
	Permissible Excessive Operating Pressure for the Discharge Side	PSIG	550
	Permissible Excessive Operating Pressure for the Suction Side	PSIG	240
	Dimension (W × D × H)	inch	40 5/32 × 16 13/16 × 32 33/64
	Dimension of Package (L × W × H)	inch	42 29/32 × 19 29/64 × 34 1/4
	Dimension of Package(L × W × H)	inch	43 1/32 × 19 9/16 × 34 27/32
	Net Weight	lb	172.0
	Gross Weight	lb	187.4
	Refrigerant Charge	-	R410A
	Refrigerant Charge	oz	130.5
	Cross-sectional Area of Power Cable Conductor	sq in	0.008215(AWG10)
	Recommended Power Cable(Core)	N	3
	Connection Pipe Connection Method	-	Flare Connection
	Not Additional Gas Connection Pipe Length	ft	131.2
	Connection Pipe Gas Additional Charge	oz/ft.	0.2
	Outer Diameter of Liquid Pipe1 (GREE Allocation)(Metric)	inch	1/4"
	Outer Diameter of Liquid Pipe2(GREE Allocation)(Metric)	inch	1/4"
	Outer Diameter of Liquid Pipe3(GREE Allocation)(Metric)	inch	1/4"
	Outer Diameter of Liquid Pipe4(GREE Allocation)(Metric)	inch	1/4"
	Outer Diameter of Gas Pipe1 (GREE Allocation)(Metric)	inch	3/8"
	Outer Diameter of Gas Pipe2(GREE Allocation)(Metric)	inch	3/8"
	Outer Diameter of Liquid Pipe3(GREE Allocation)(Metric)	inch	3/8"
	Outer Diameter of Liquid Pipe4(GREE Allocation)(Metric)	inch	3/8"
	Connection Pipe Max. Height Distance(indoor and indoor)	ft	82.0
Connection Pipe Max. Height Distance(indoor and outdoor and indoor up)	ft	82.0	
Connection Pipe Max. Height Distance(indoor and outdoor and outdoor up)	ft	82.0	
Max. equivalent connection pipe length(outdoor to last indoor)	ft	82.0	
Connection Pipe Max. Length Distance(total length)	ft	262.5	

The above data is subject to change without notice; please refer to the nameplate of the unit.

**Job Name:**

**Schedule Reference:**

**Date:**

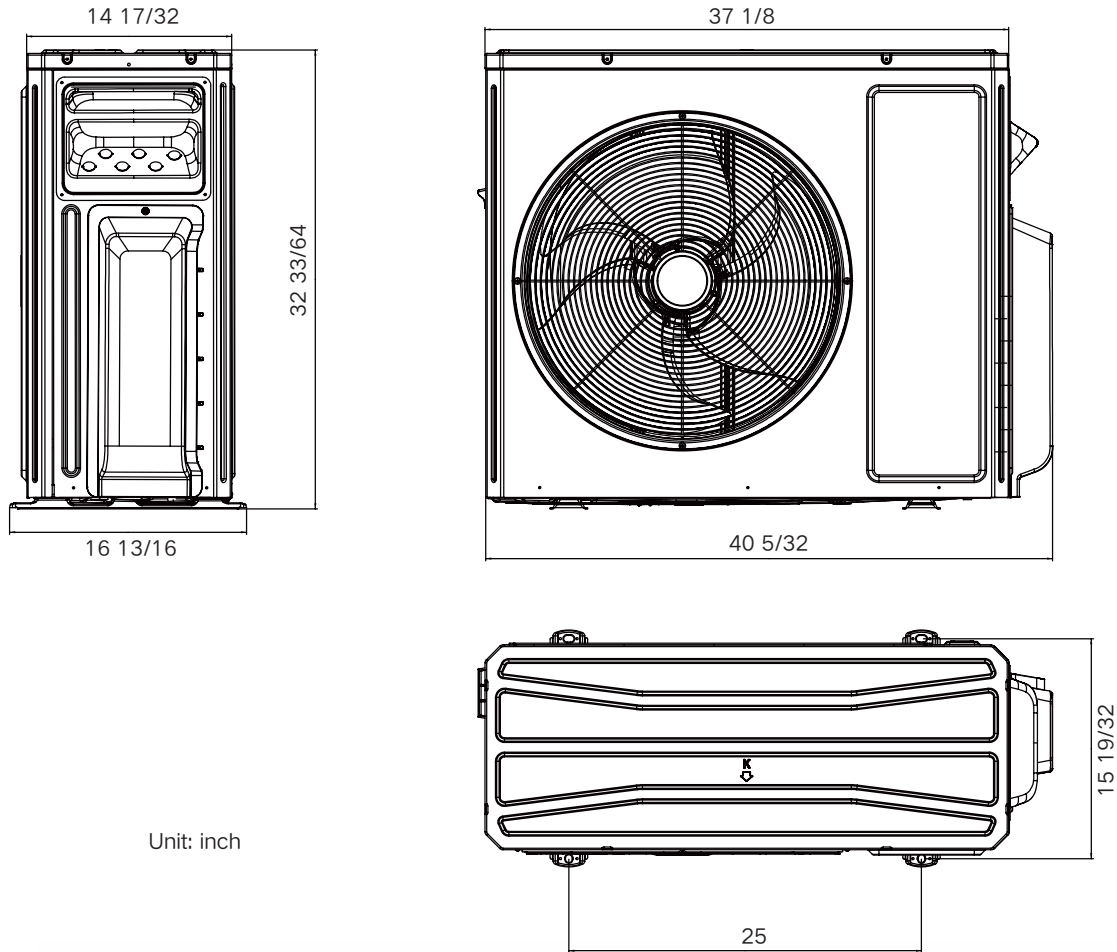
Specification are subject to change without notice.



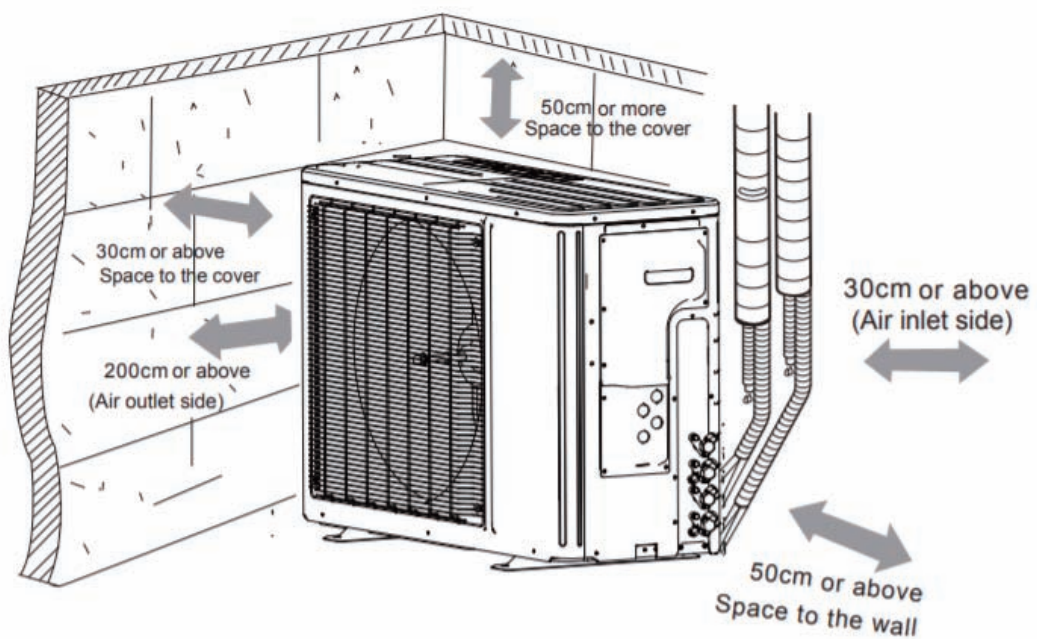
MODEL NUMBER	POSSIBLE COMBINATIONS	COOLING CAPACITY (Btu/h)					COOLING CAPACITY (Btu/h)				
		ZONE1	ZONE2	ZONE3	ZONE4	ZONE5	ZONE1	ZONE2	ZONE3	ZONE4	ZONE5
TM36HMO	9k+9k	9,000	9,000				9,500	9,500			
TM36HMO	9k+12k	9,000	12,000				9,429	12,571			
TM36HMO	9k+18k	9,000	18,000				9,500	18,000			
TM36HMO	9k+24k	9,000	24,000				9,500	24,000			
TM36HMO	12k+12k	12,000	12,000				12,000	12,000			
TM36HMO	12k+18k	12,000	18,000				12,000	18,000			
TM36HMO	12k+24k	11,333	22,667				12,000	24,000			
TM36HMO	18k+18k	17,000	17,000				18,000	18,000			
TM36HMO	18k+24k	14,571	19,429				15,429	20,571			
TM36HMO	24k+24k	17,000	17,000				18,000	18,000			
TM36HMO	9k+9k+9k	9,000	9,000	9,000			9,000	9,000	9,000		
TM36HMO	9k+9k+12k	9,000	9,000	12,000			9,000	9,000	12,000		
TM36HMO	9k+9k+18k	8,500	8,500	17,000			9,000	9,000	18,000		
TM36HMO	9k+9k+24k	7,286	7,286	19,429			7,714	7,714	20,571		
TM36HMO	9k+12k+12k	9,000	12,000	12,000			9,000	12,000	12,000		
TM36HMO	9k+12k+18k	7,846	10,462	15,692			8,308	11,077	16,615		
TM36HMO	9k+12k+24k	6,800	9,067	18,133			7,200	9,600	19,200		
TM36HMO	9k+18k+18k	6,800	13,600	13,600			7,200	14,400	14,400		
TM36HMO	9k+18k+24k	6,000	12,000	16,000			6,353	12,706	16,941		
TM36HMO	12k+12k+12k	11,333	11,333	11,333			12,000	12,000	12,000		
TM36HMO	12k+12k+18k	9,714	9,714	14,571			10,286	10,286	15,429		
TM36HMO	12k+12k+24k	8,500	8,500	17,000			9,000	9,000	18,000		
TM36HMO	12k+18k+18k	8,500	12,750	12,750			9,000	13,500	13,500		
TM36HMO	12k+18k+24k	7,556	11,333	15,111			8,000	12,000	16,000		
TM36HMO	18k+18k+18k	11,333	11,333	11,333			12,000	12,000	12,000		
TM36HMO	9k+9k+9k+9k	8,500	8,500	8,500	8,500		9,000	9,000	9,000	9,000	
TM36HMO	9k+9k+9k+12k	7,846	7,846	7,846	10,462		8,308	8,308	8,308	11,077	
TM36HMO	9k+9k+9k+18k	6,800	6,800	6,800	13,600		7,200	7,200	7,200	14,400	
TM36HMO	9k+9k+9k+24k	6,000	6,000	6,000	16,000		6,353	6,353	6,353	16,941	
TM36HMO	9k+9k+12k+12k	7,286	7,286	9,714	9,714		7,714	7,714	10,286	10,286	
TM36HMO	9k+9k+12k+18k	6,375	6,375	8,500	12,750		6,750	6,750	9,000	13,500	
TM36HMO	9k+9k+12k+24k	5,667	5,667	7,556	15,111		6,000	6,000	8,000	16,000	
TM36HMO	9k+9k+18k+18k	5,667	5,667	11,333	11,333		6,000	6,000	12,000	12,000	
TM36HMO	9k+12k+12k+12k	6,800	9,067	9,067	9,067		7,200	9,600	9,600	9,600	
TM36HMO	9k+12k+12k+18k	6,000	8,000	8,000	12,000		6,353	8,471	8,471	12,706	
TM36HMO	12k+12k+12k+12k	8,500	8,500	8,500	8,500		9,000	9,000	9,000	9,000	
TM36HMO	12k+12k+12k+18k	7,556	7,556	7,556	11,333		8,000	8,000	8,000	12,000	



## Outline and Physical Dimensions of TM36HMO.



Unit: inch



TOSOT COMFORT INC.

E-mail: [HI@tosotcomfort.com](mailto:HI@tosotcomfort.com) [www.tosotcomfort.com](http://www.tosotcomfort.com)