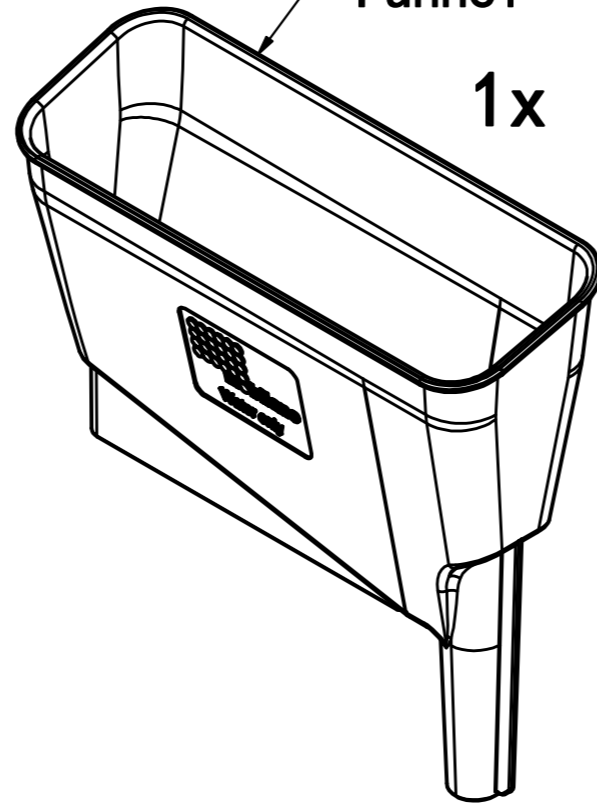


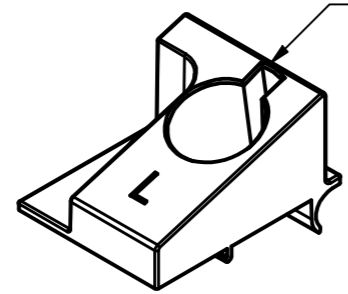
14-0122-99-06
fischer UX 8x50
9x

14-0122-99-11
fischer 5,0x60 CK T-25 RVS A2
9x

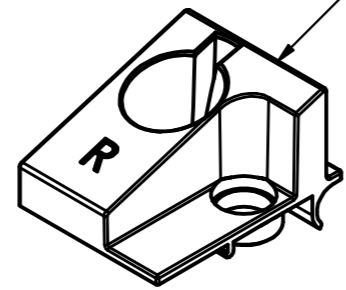
15-0089-00-01
Funnel
1x



16-0151-01-01
Funnel Block Left
3x

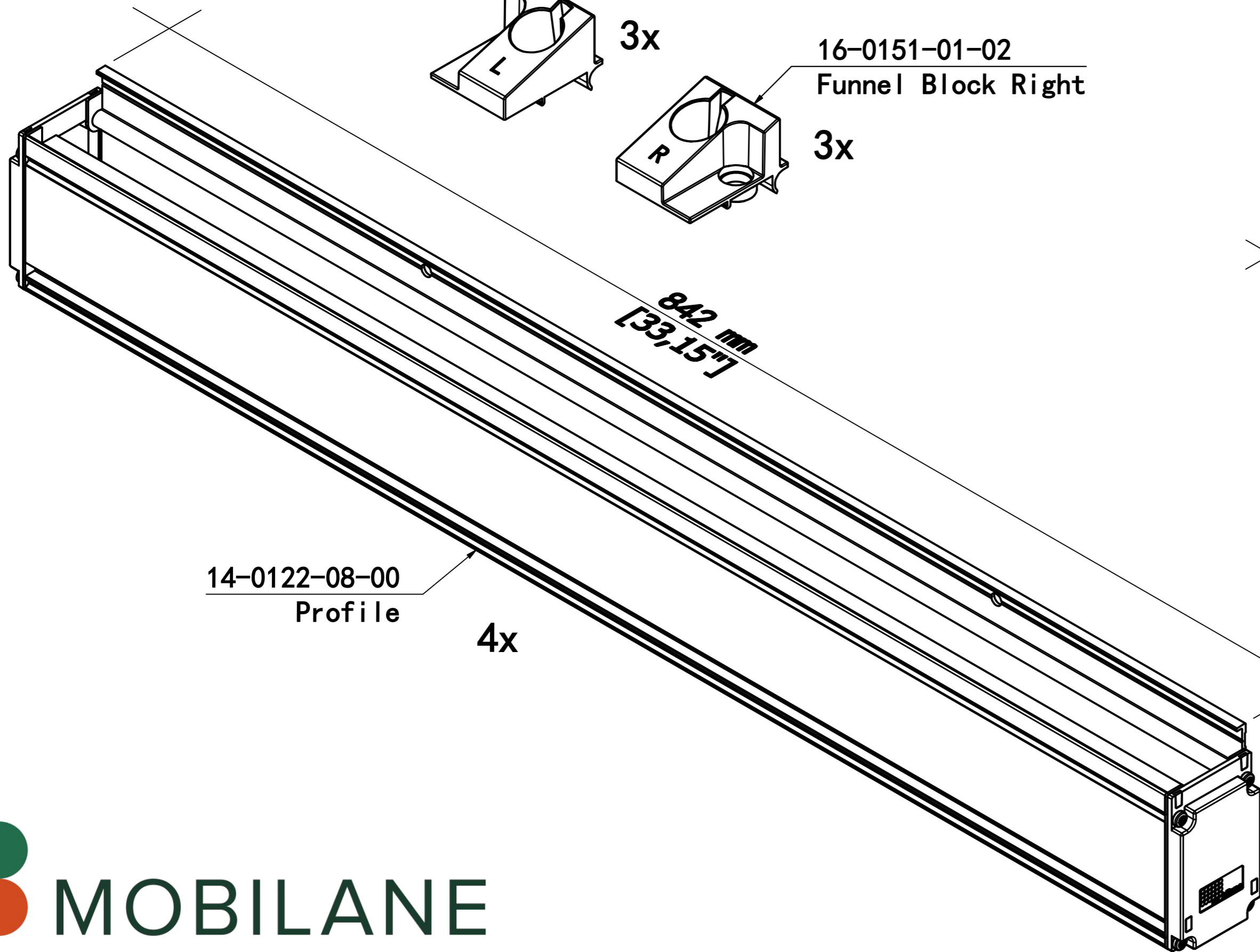


16-0151-01-02
Funnel Block Right
3x



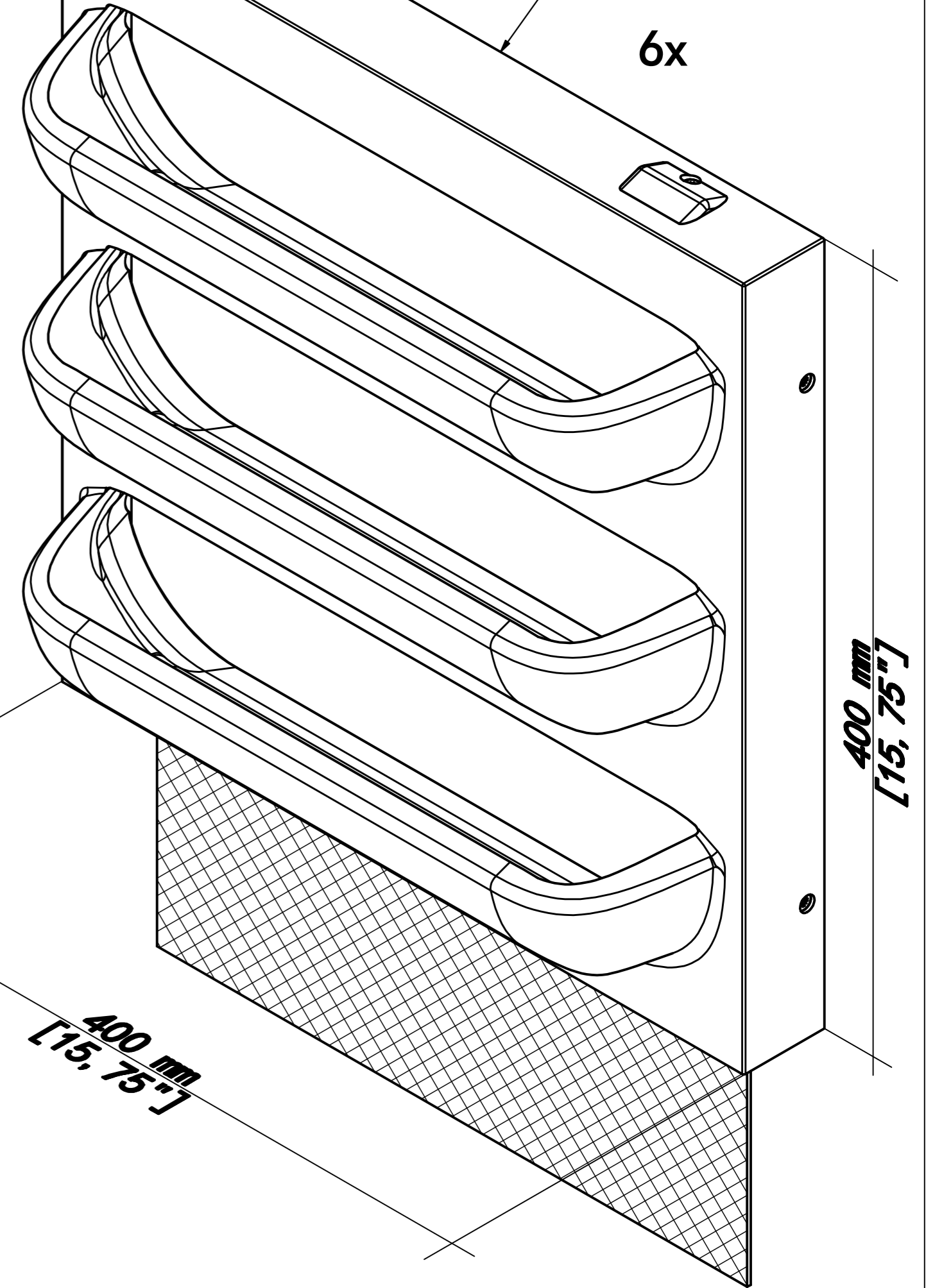
842 mm
[33,15"]

14-0122-08-00
Profile
4x

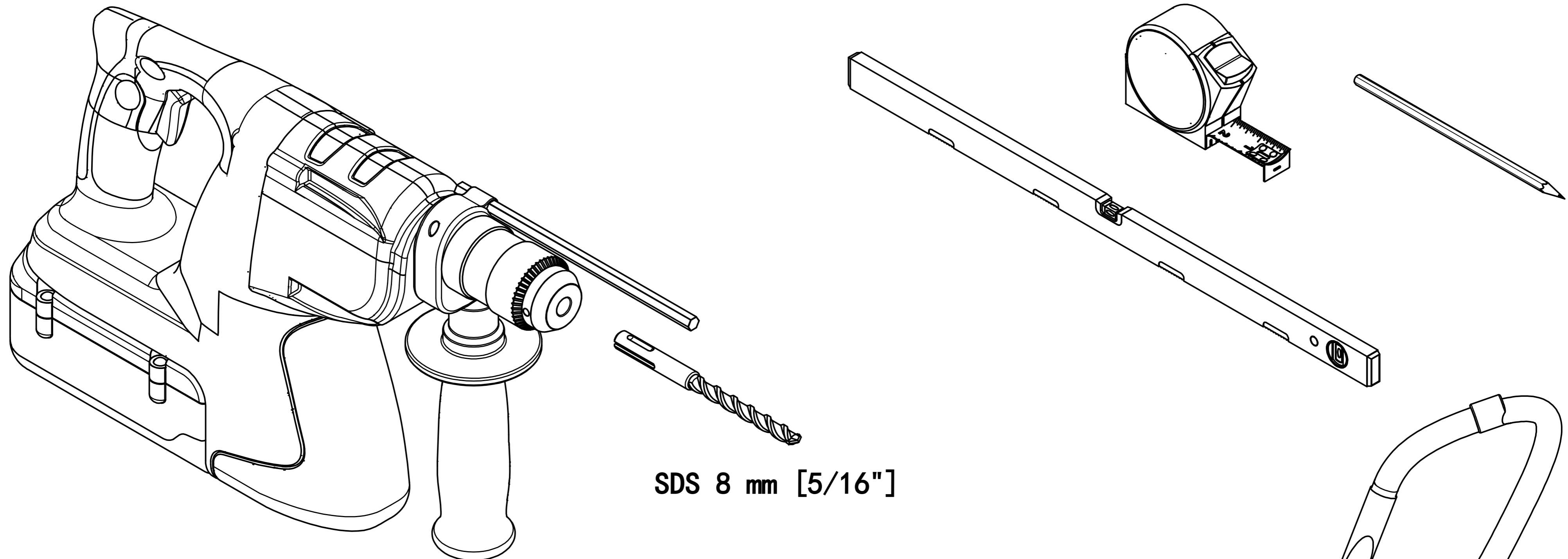


48 mm
[1,89"]

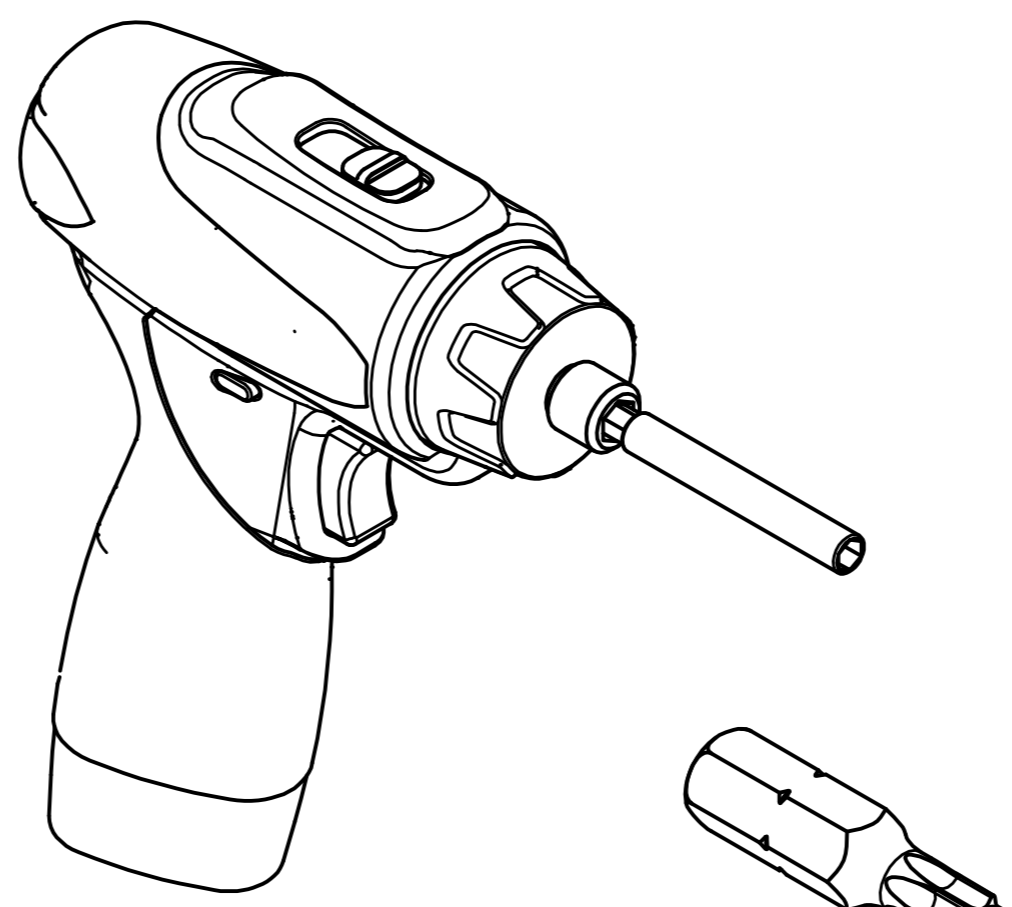
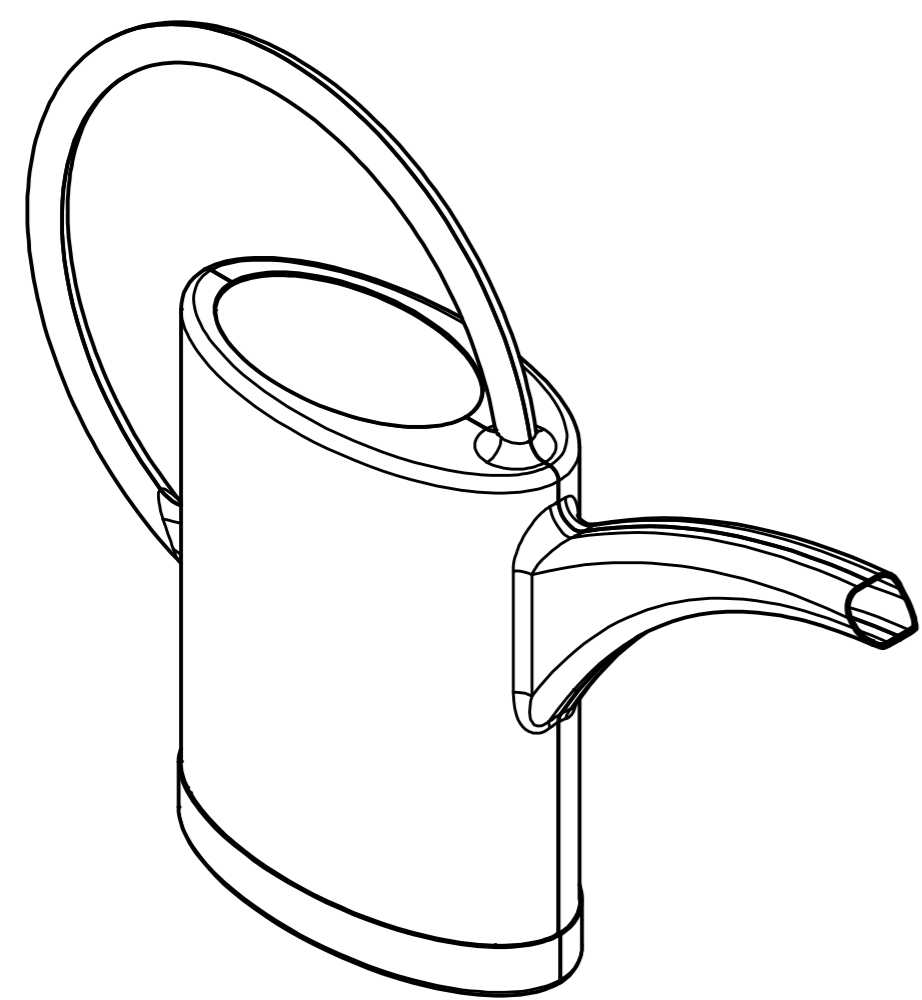
18-1678-01-00
Cassette
6x



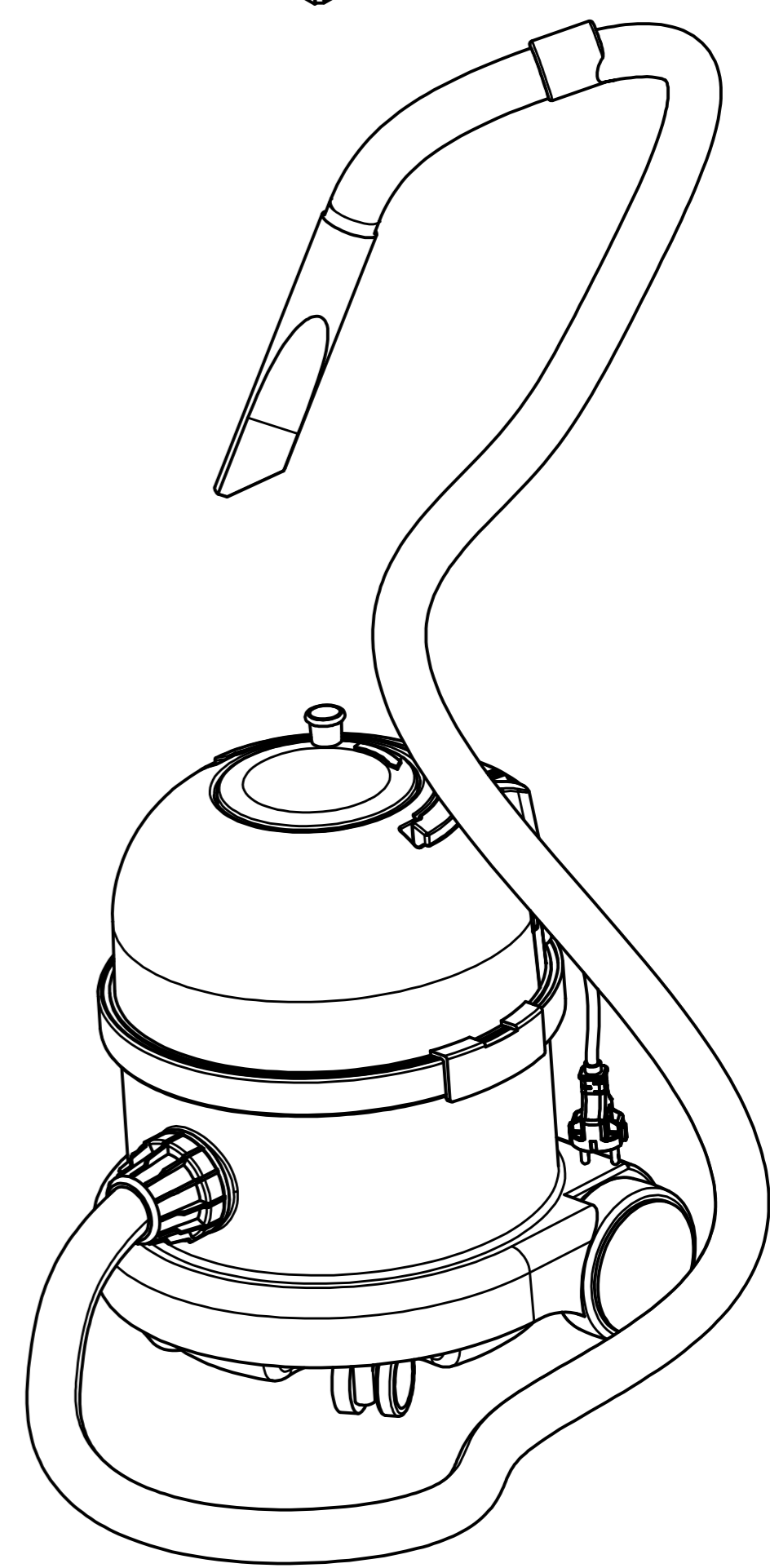
13x
14-0122-00-09
Cassette Clip



SDS 8 mm [5/16"]

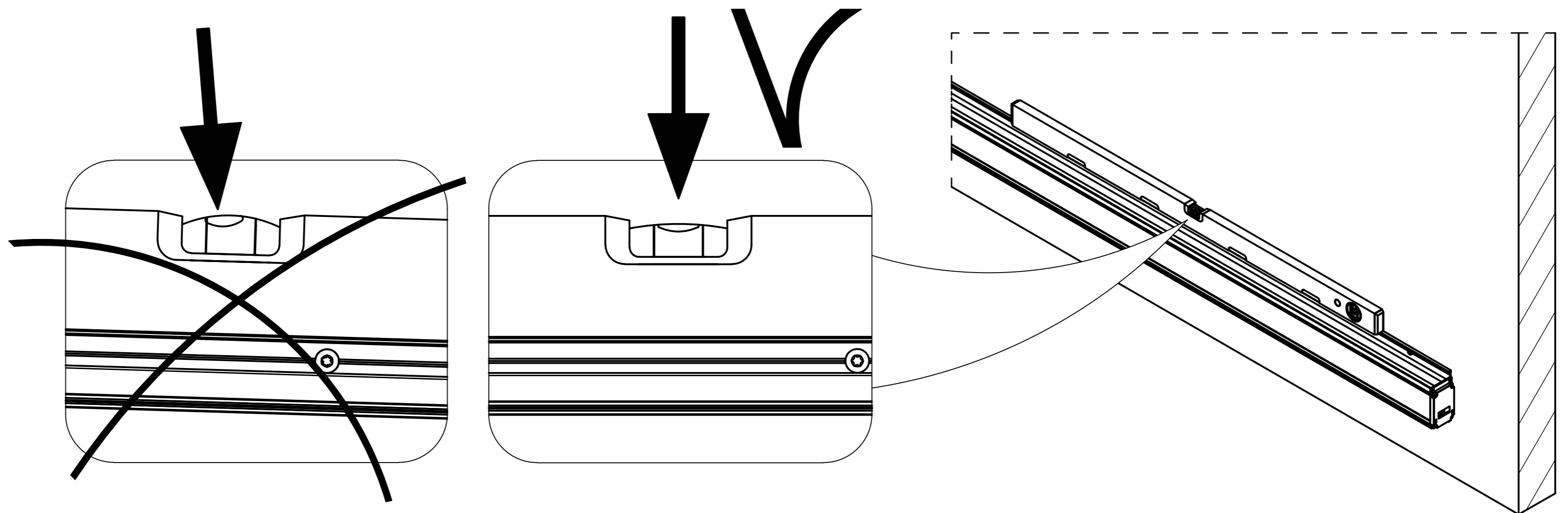
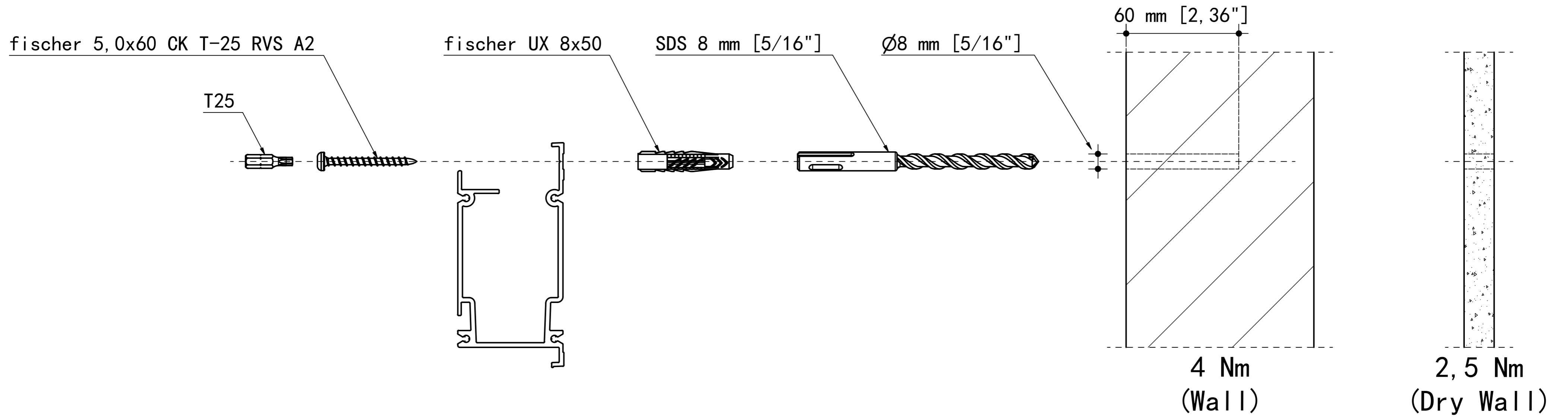


T25



1A

USE DRILL PATTERN (1B)

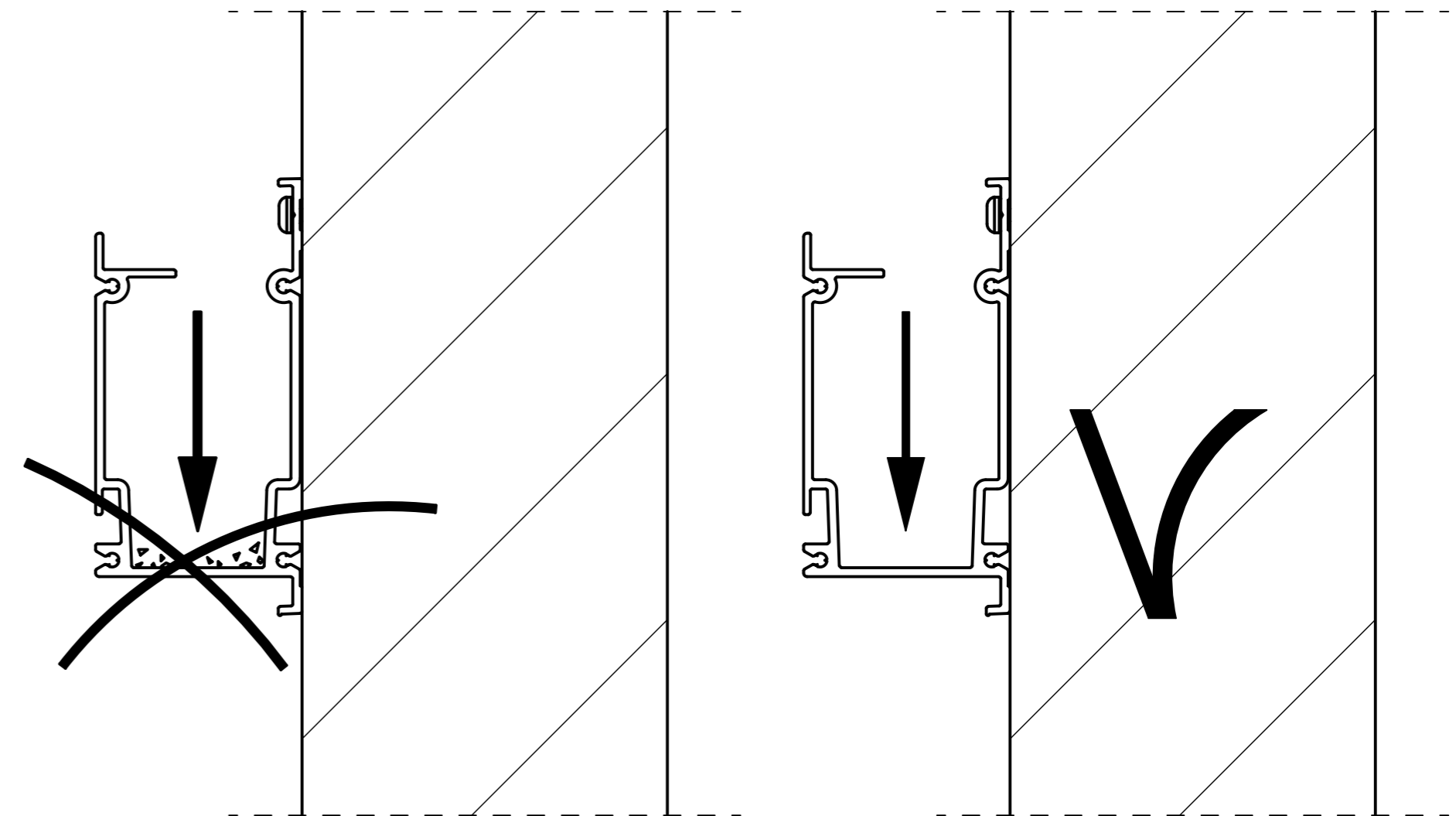
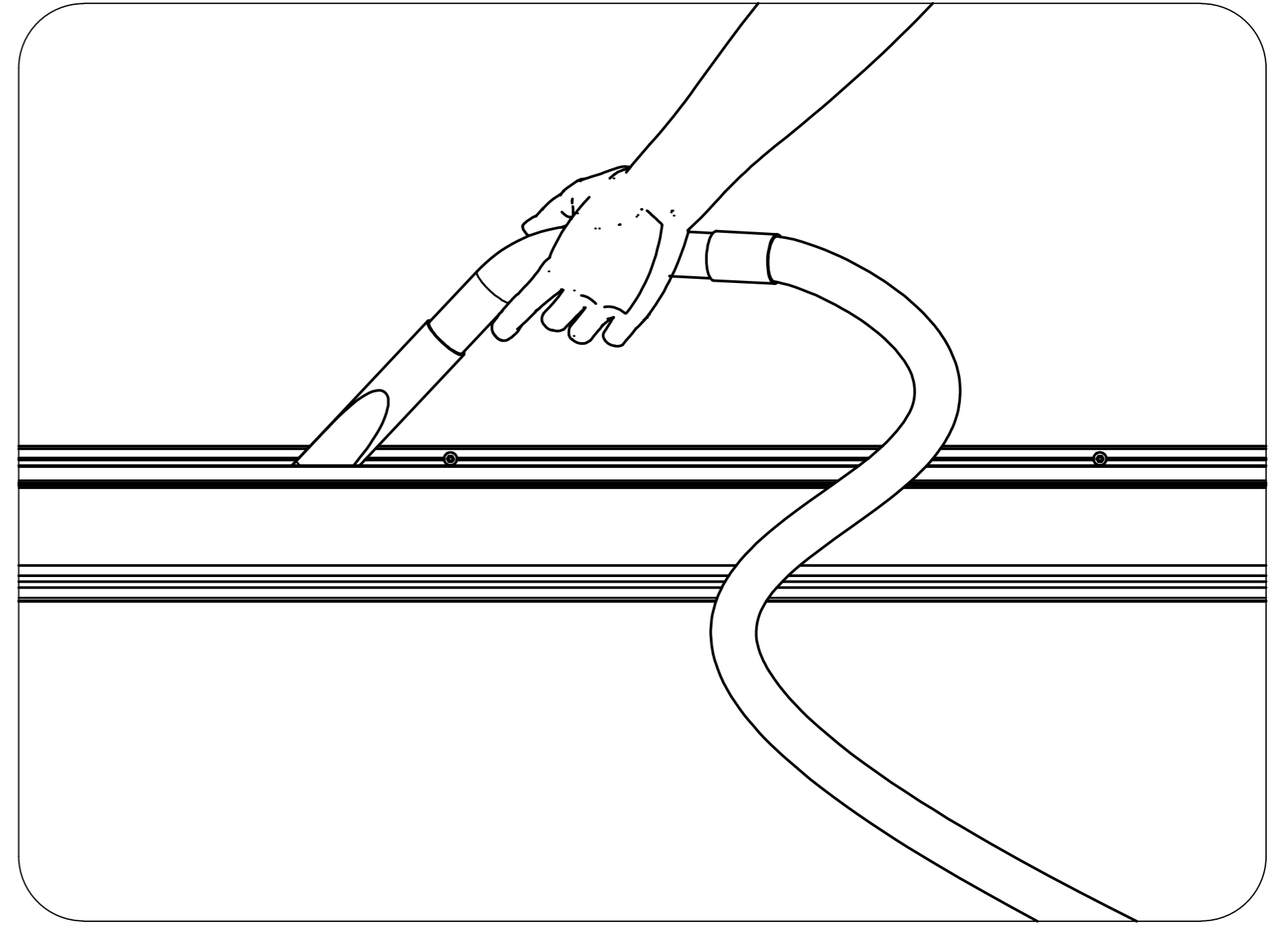
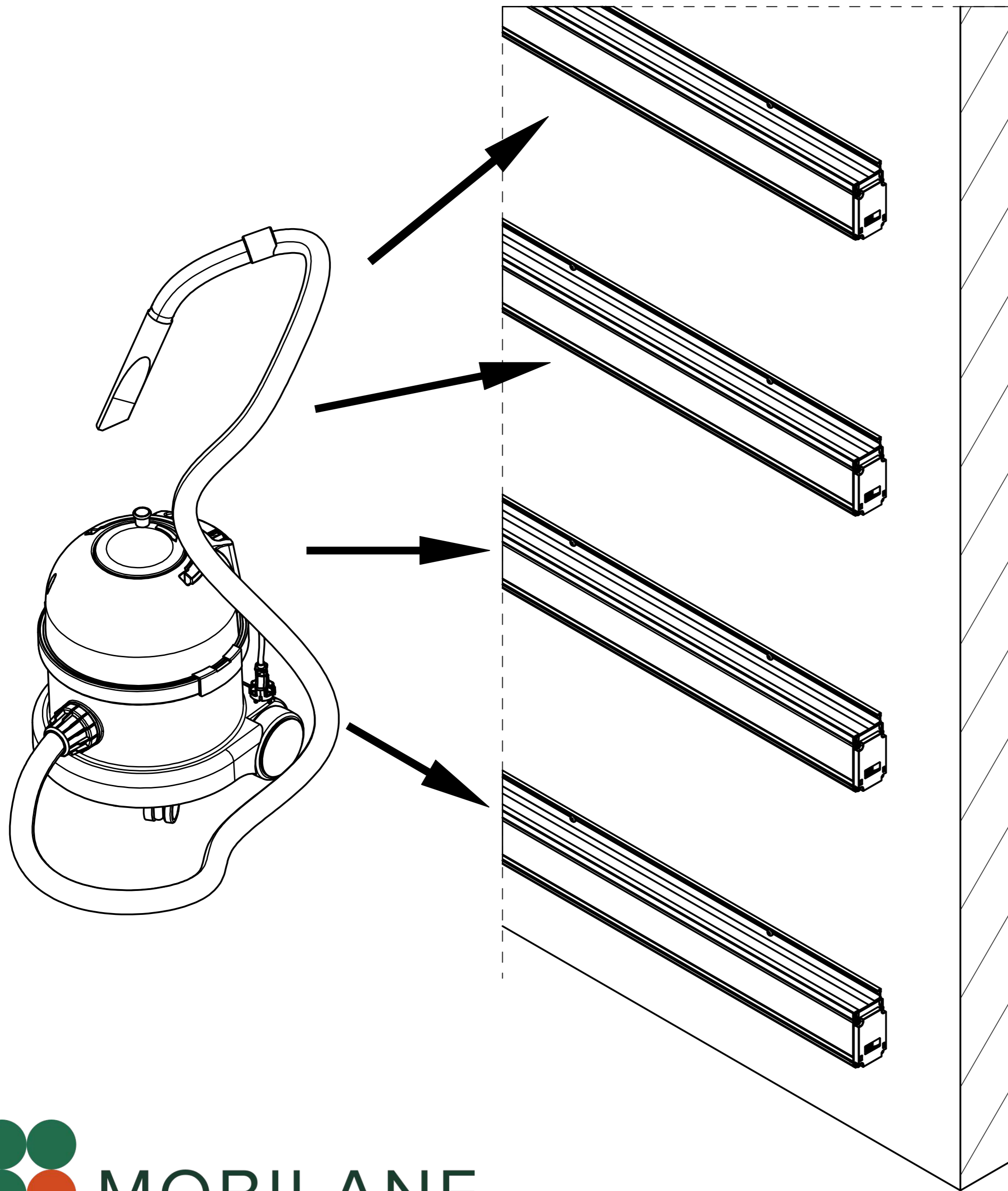


1B

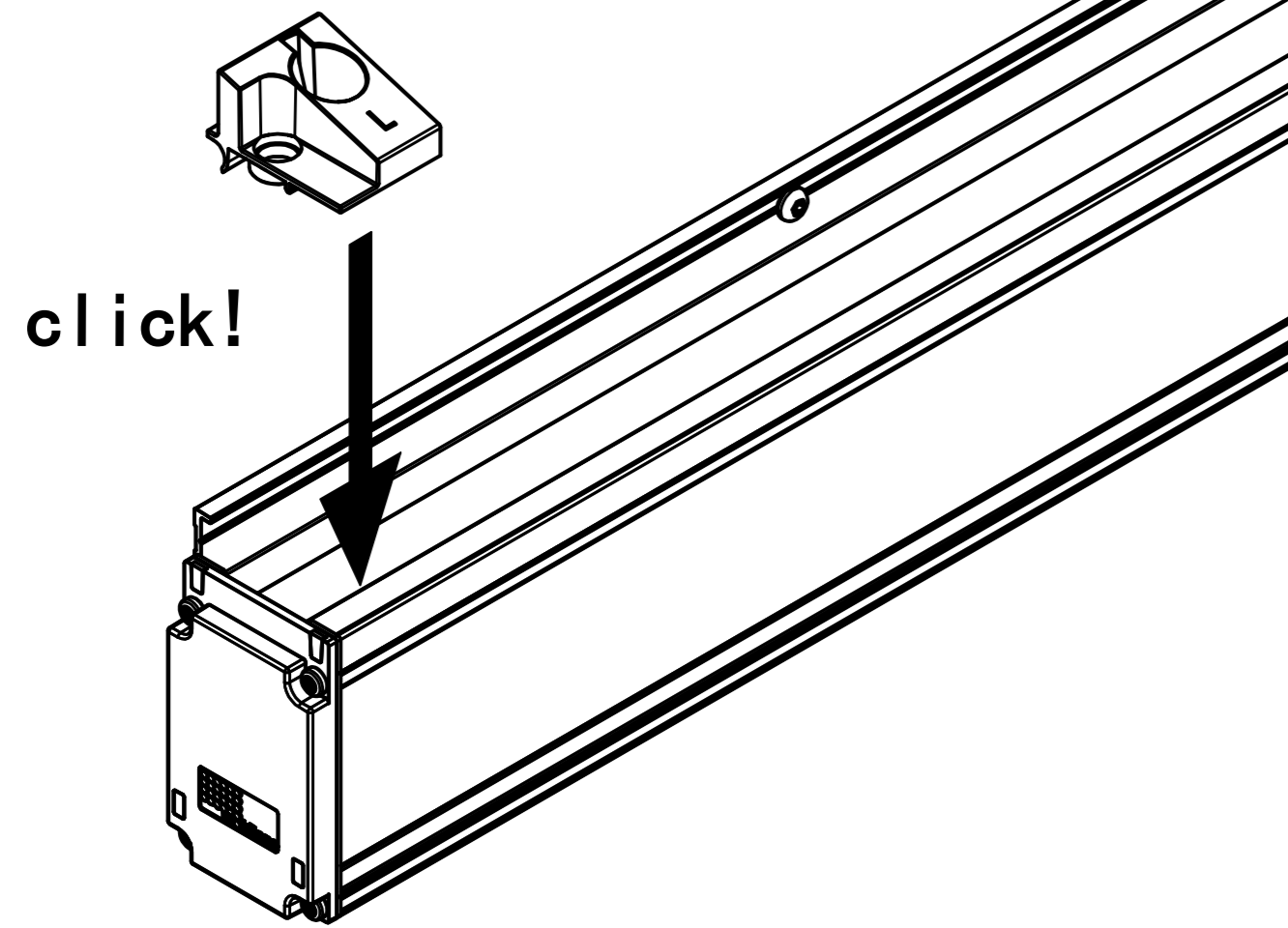
DRILL PATTERN



2



3A

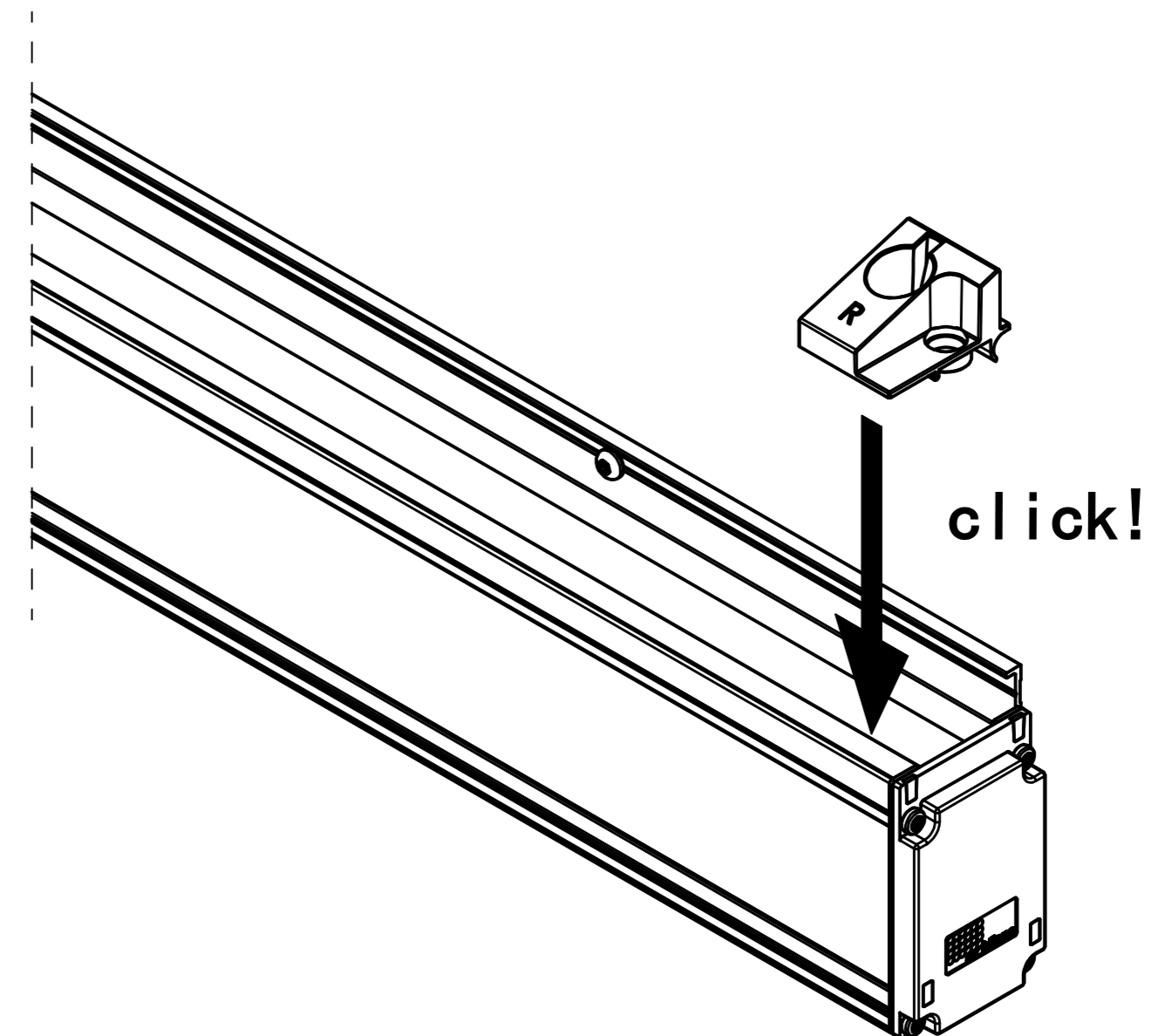


CHOOSE

3A: "LEFT" OR 3B: "RIGHT"



3B

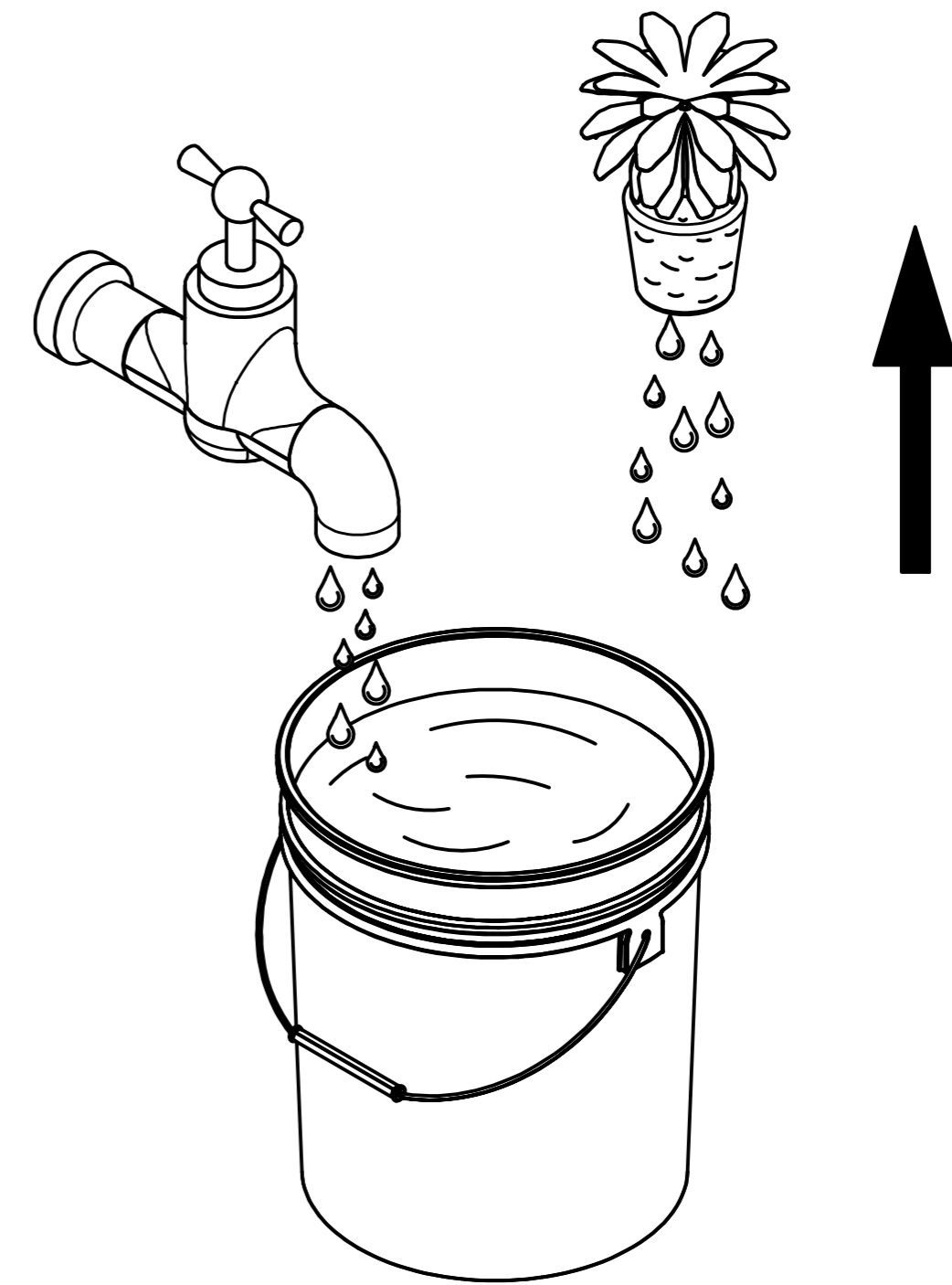


4A

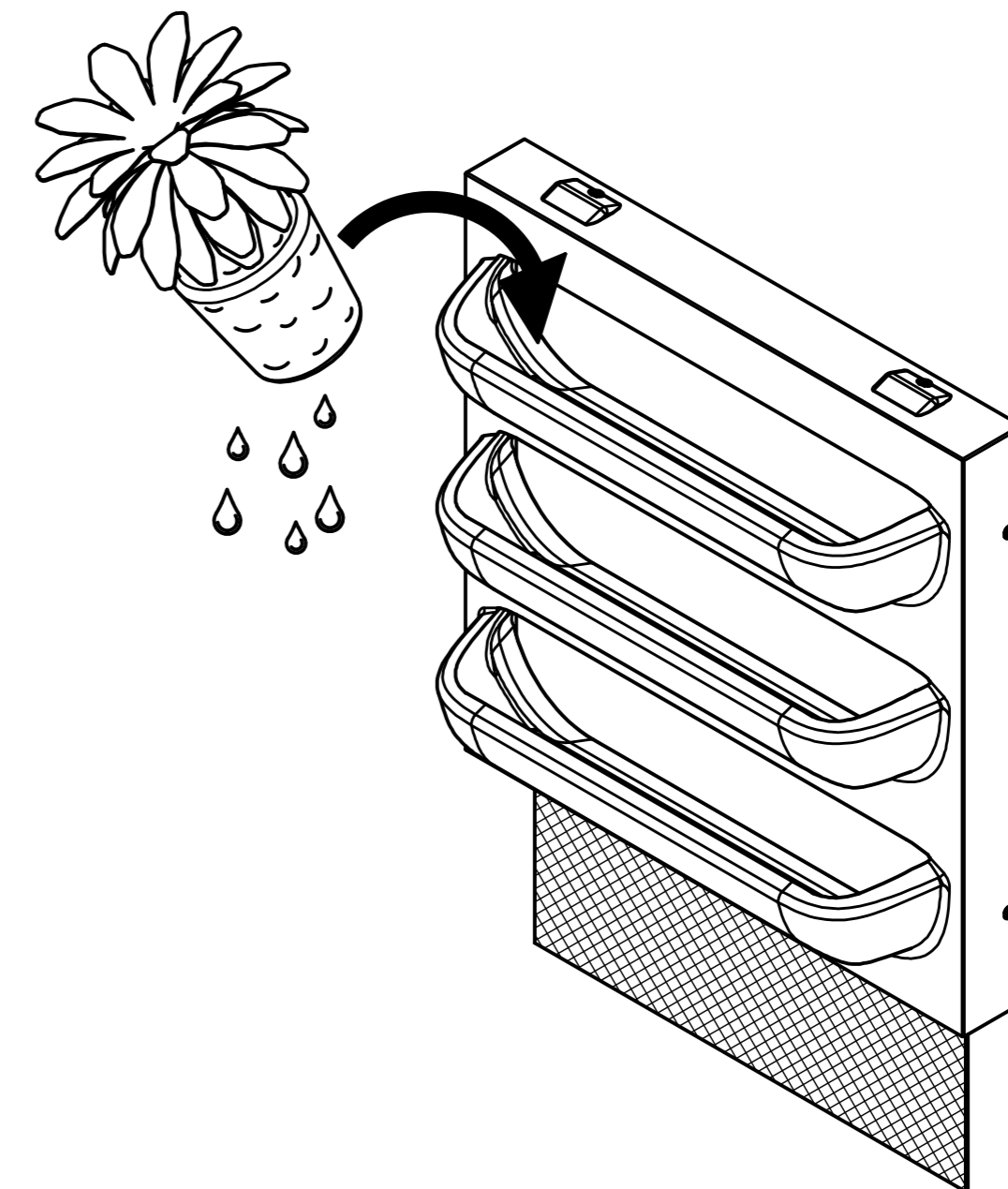


- >P11
X
4, 25"
- P9
✓
3, 50"
- P8, 5
✓
3, 25"
- P7
✓
2, 75"
- P6
✓
2, 25"

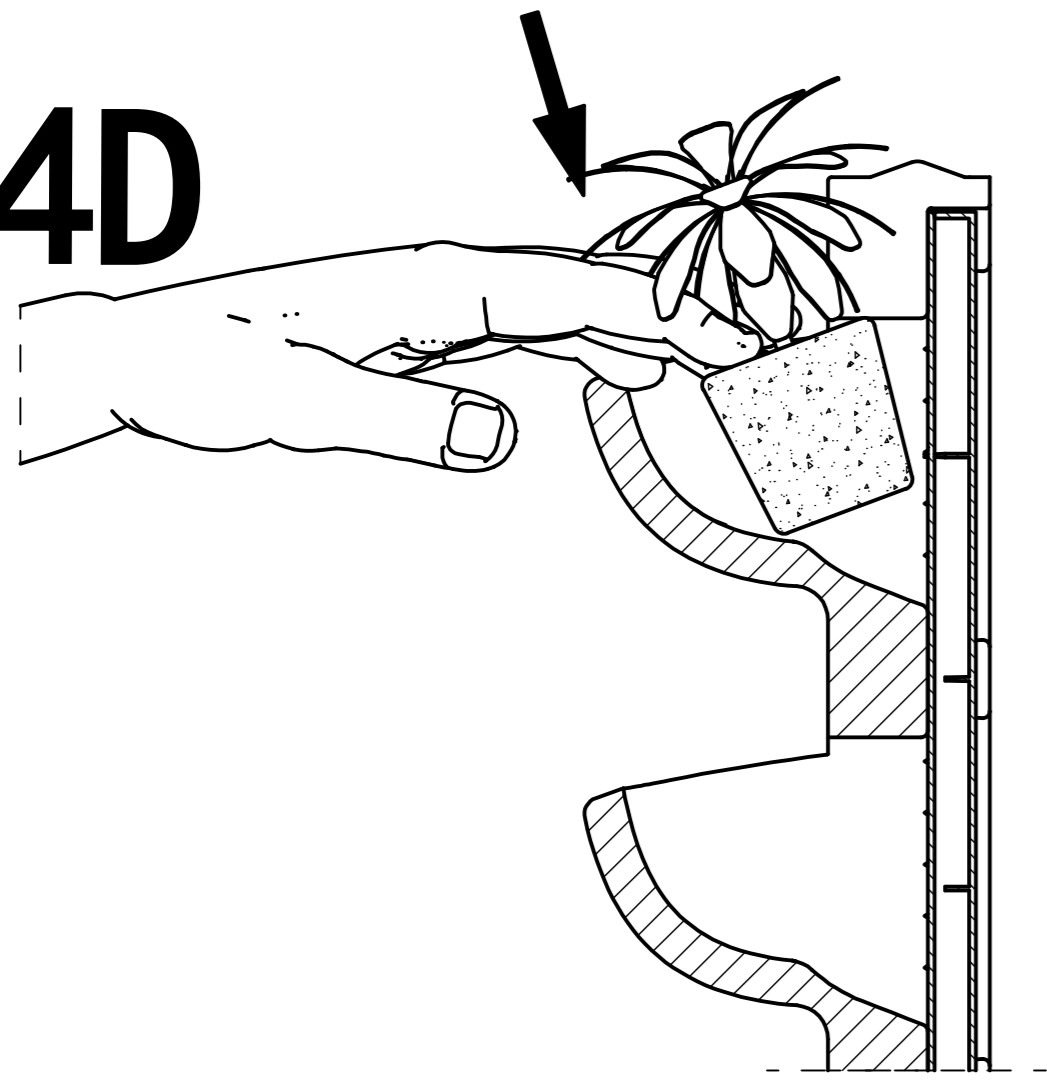
4B



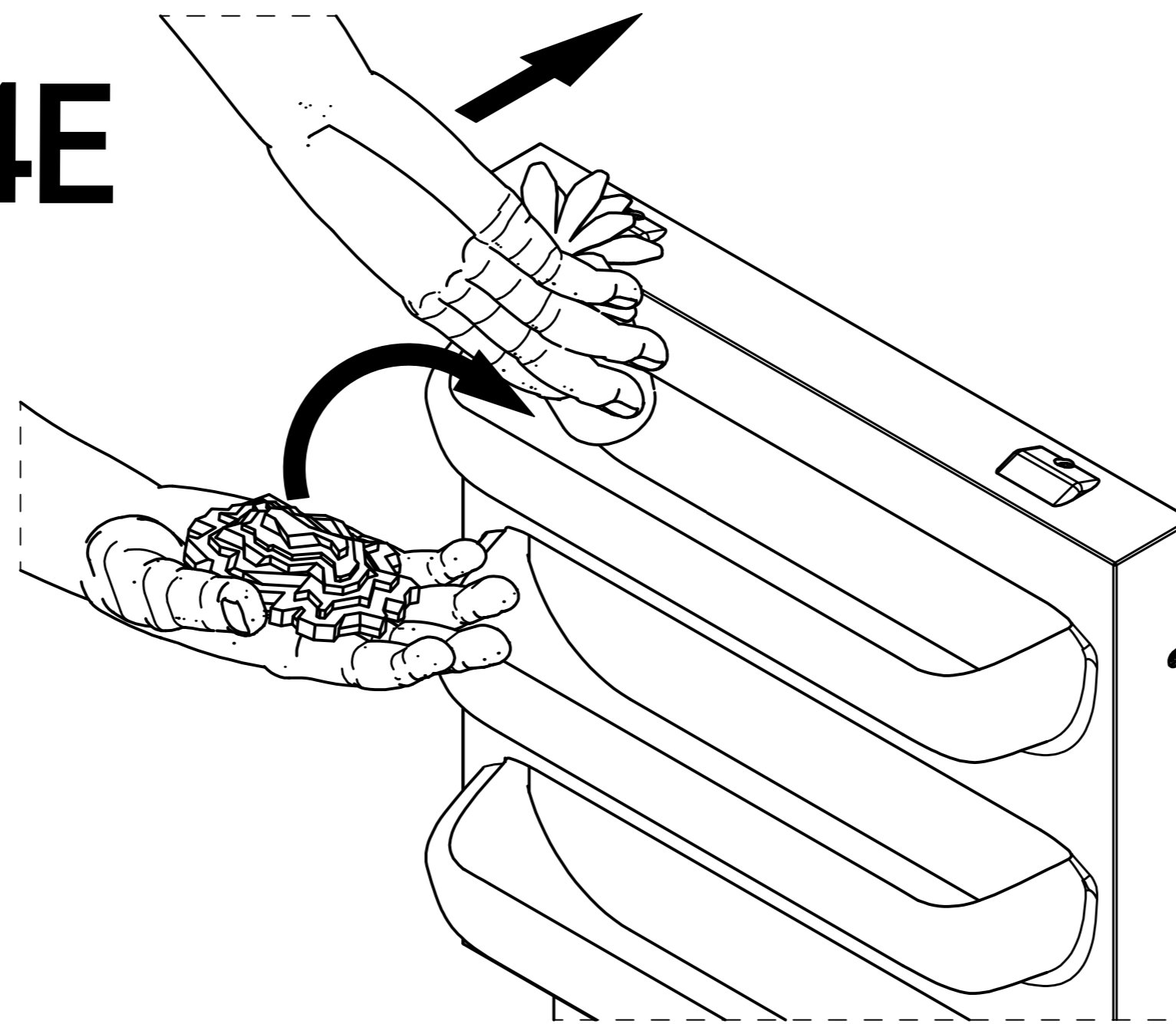
4C



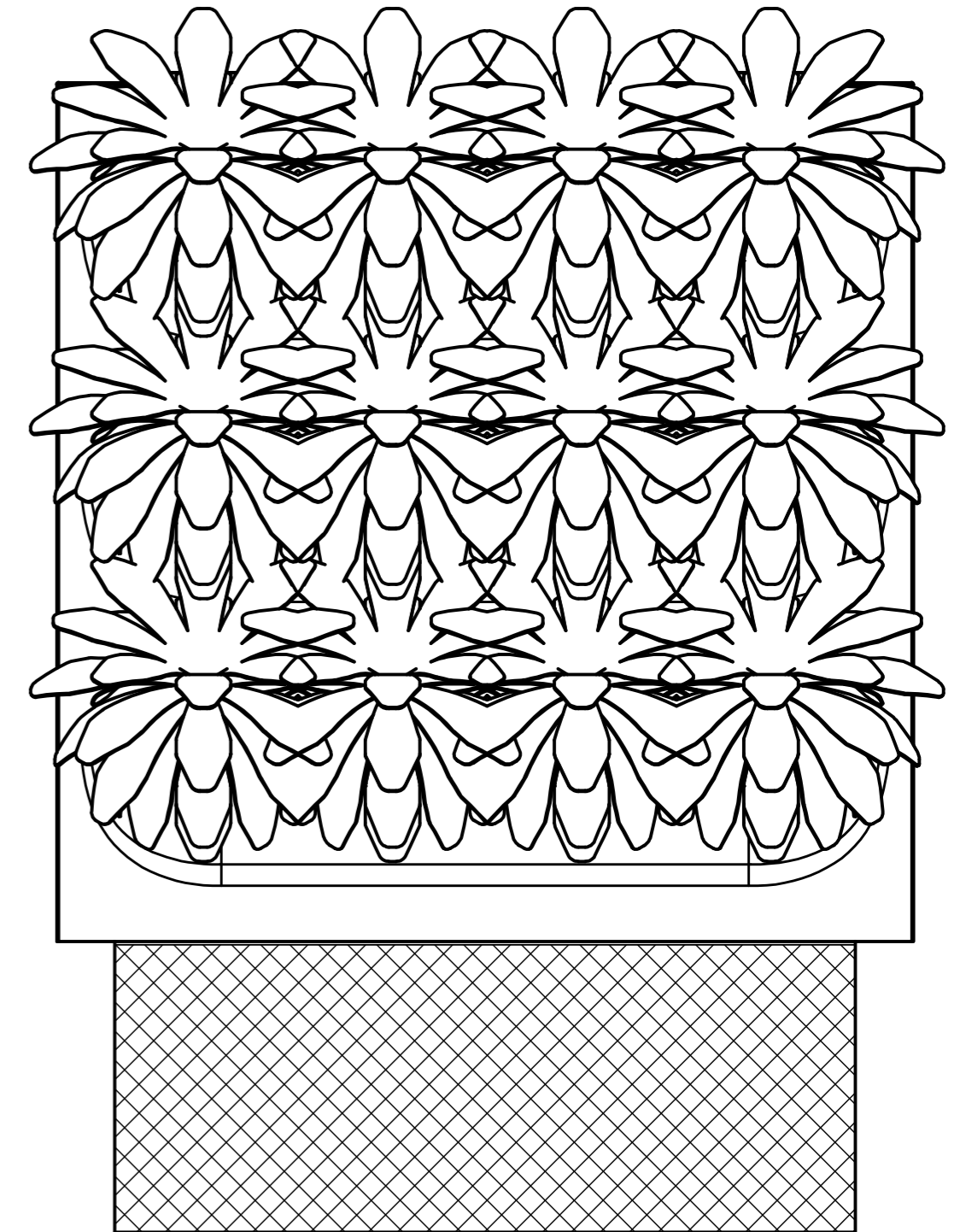
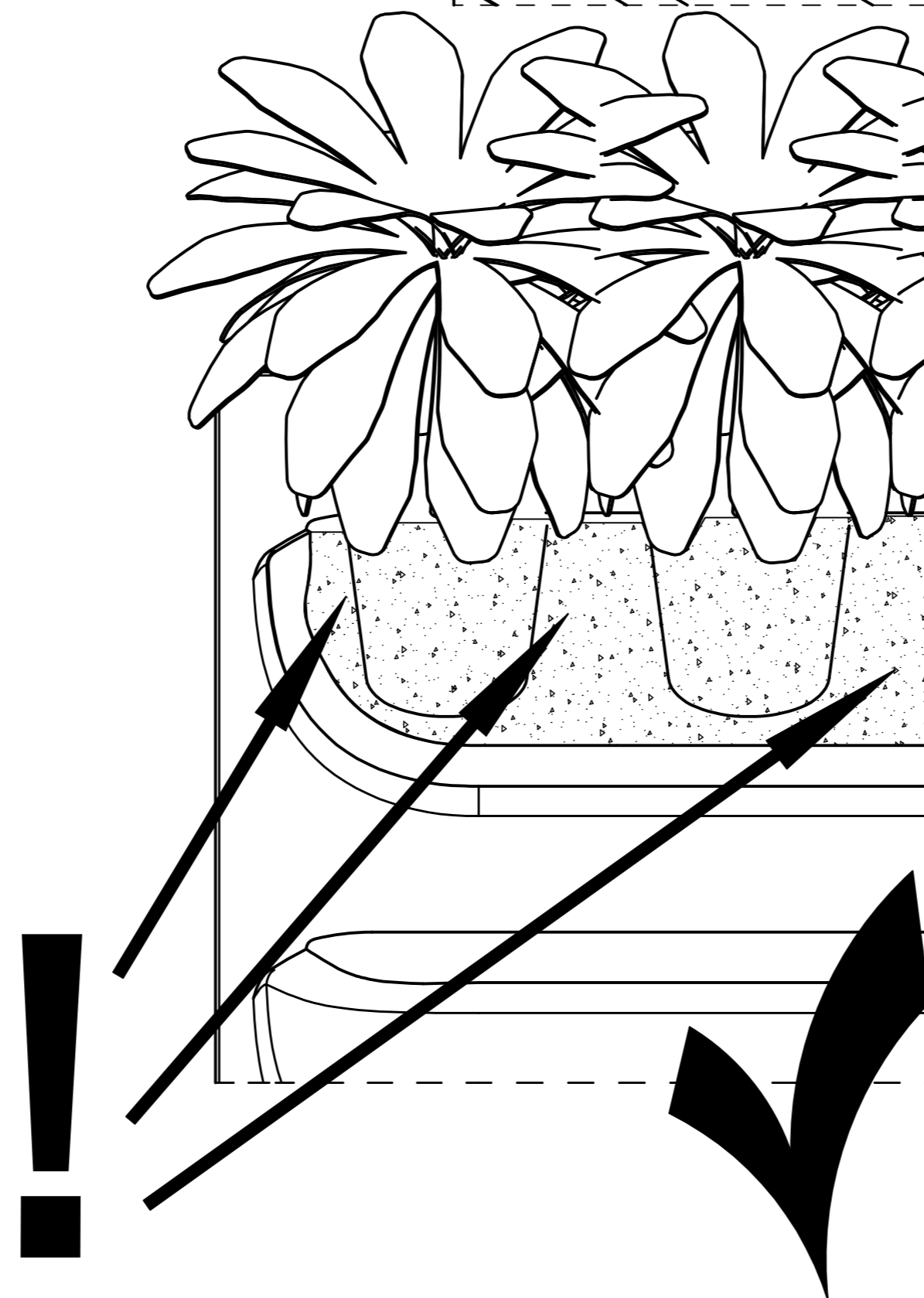
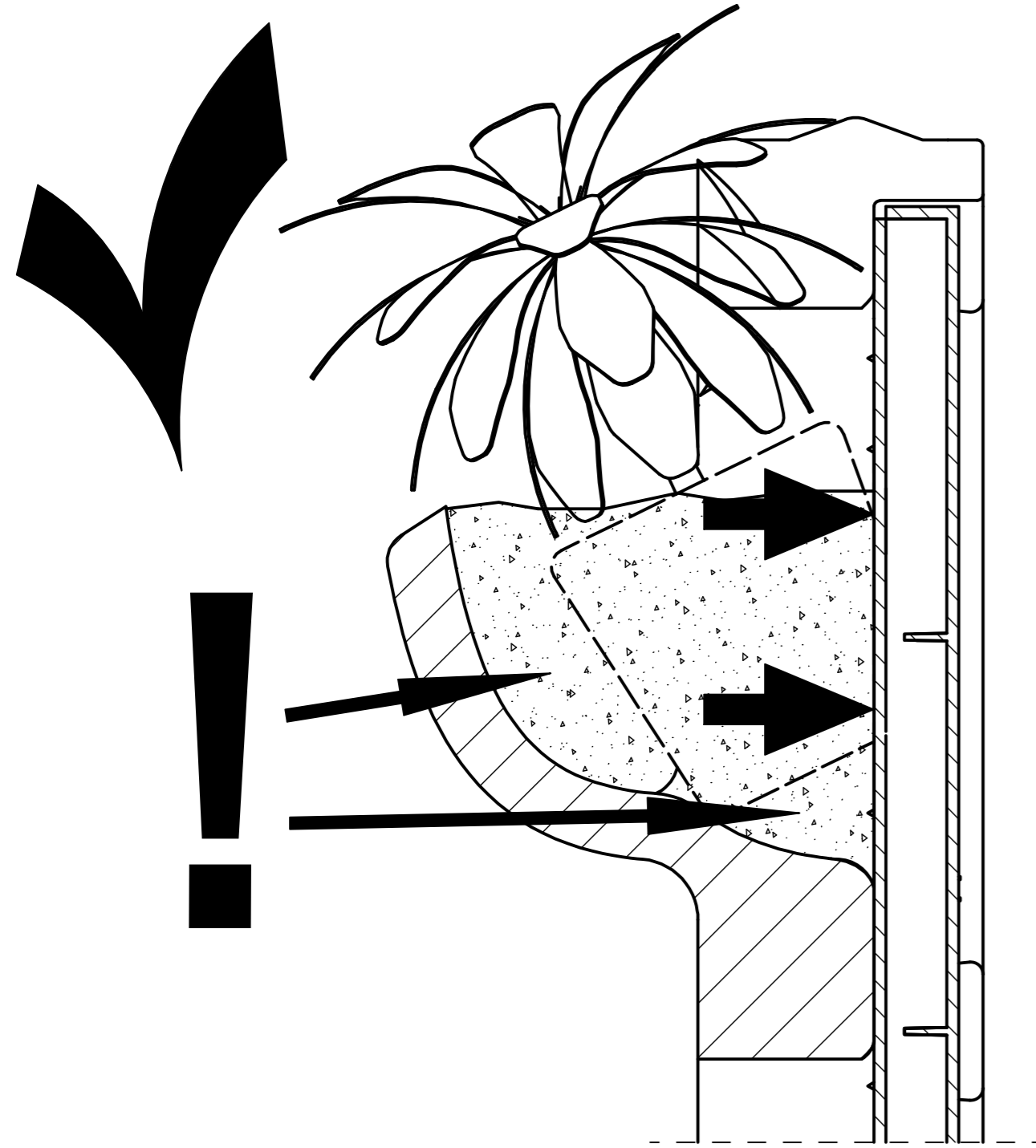
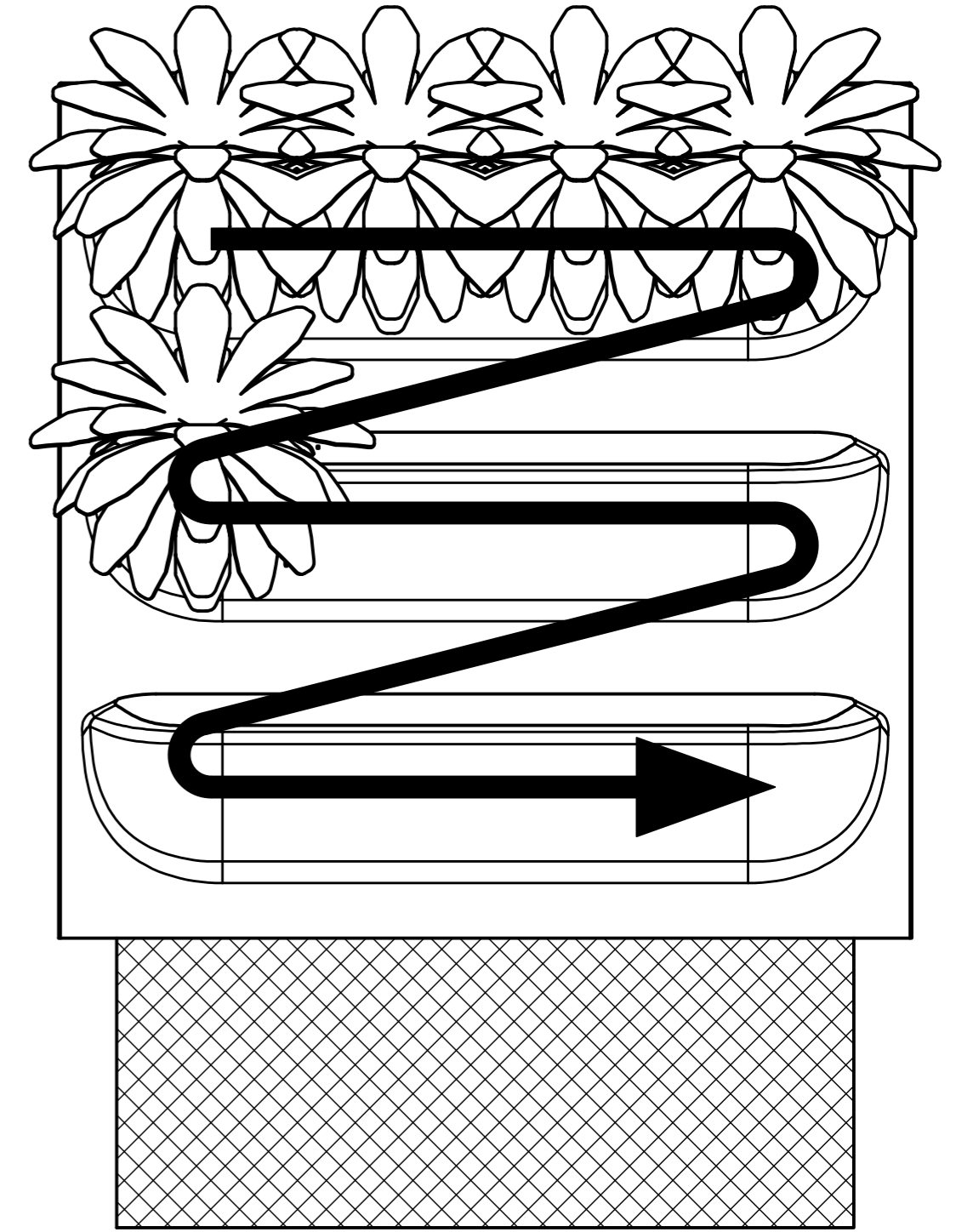
4D



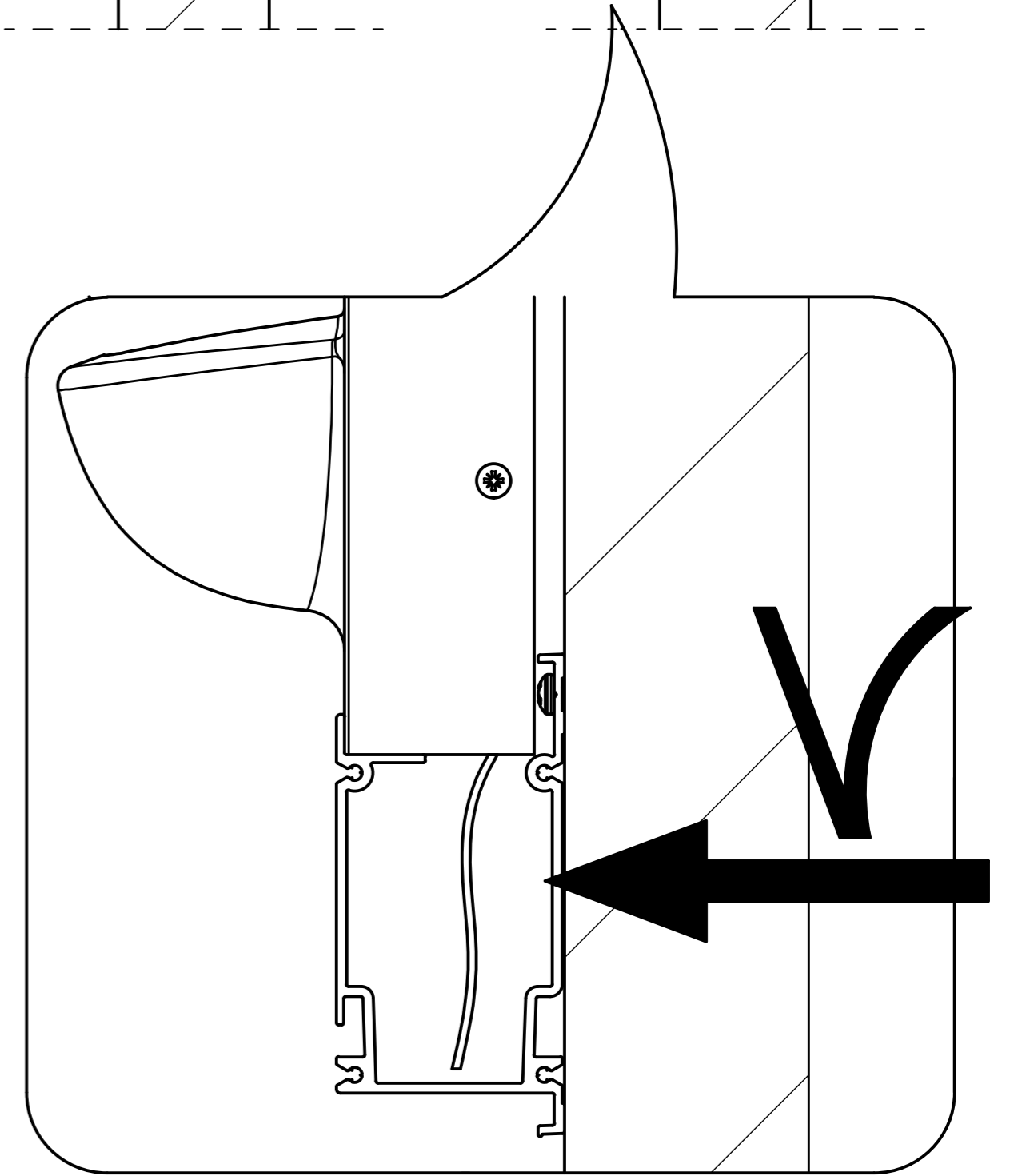
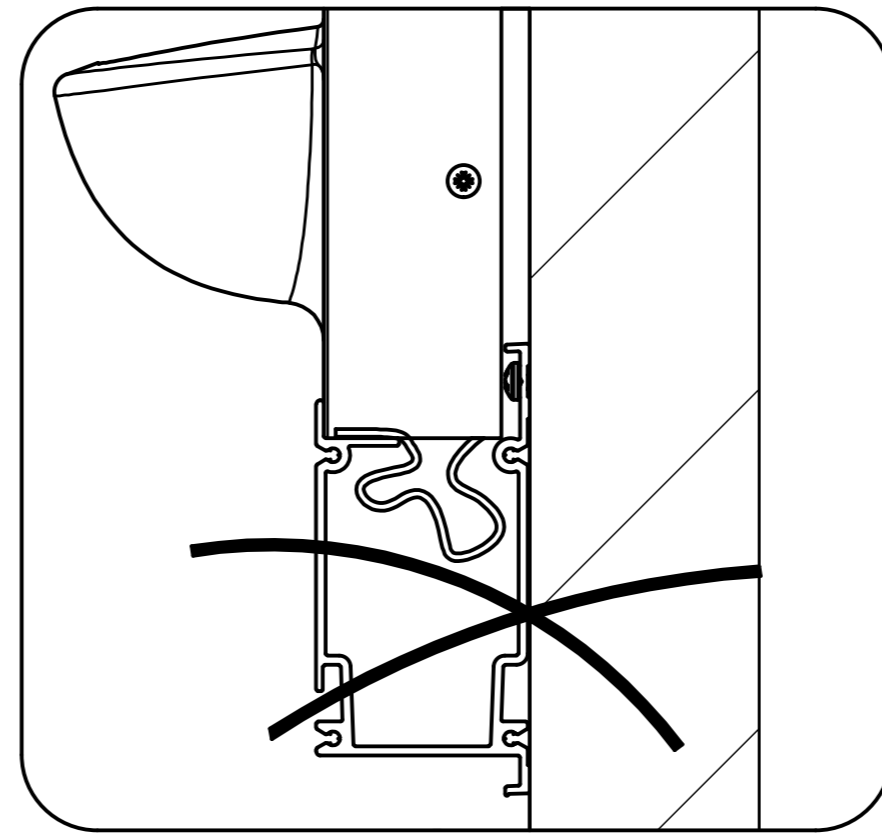
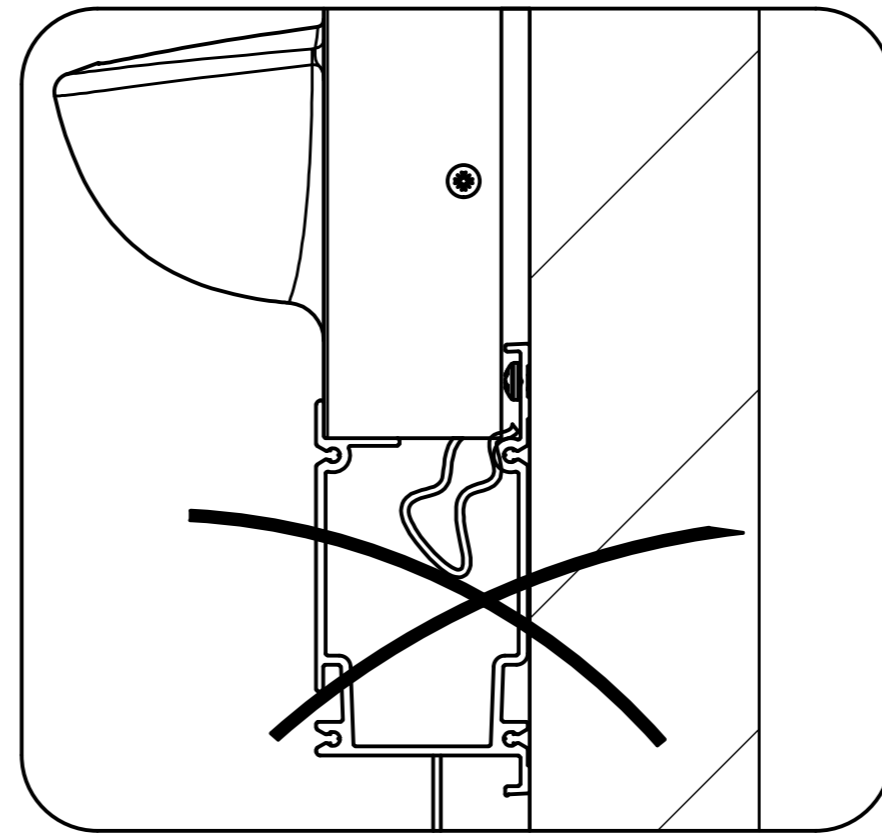
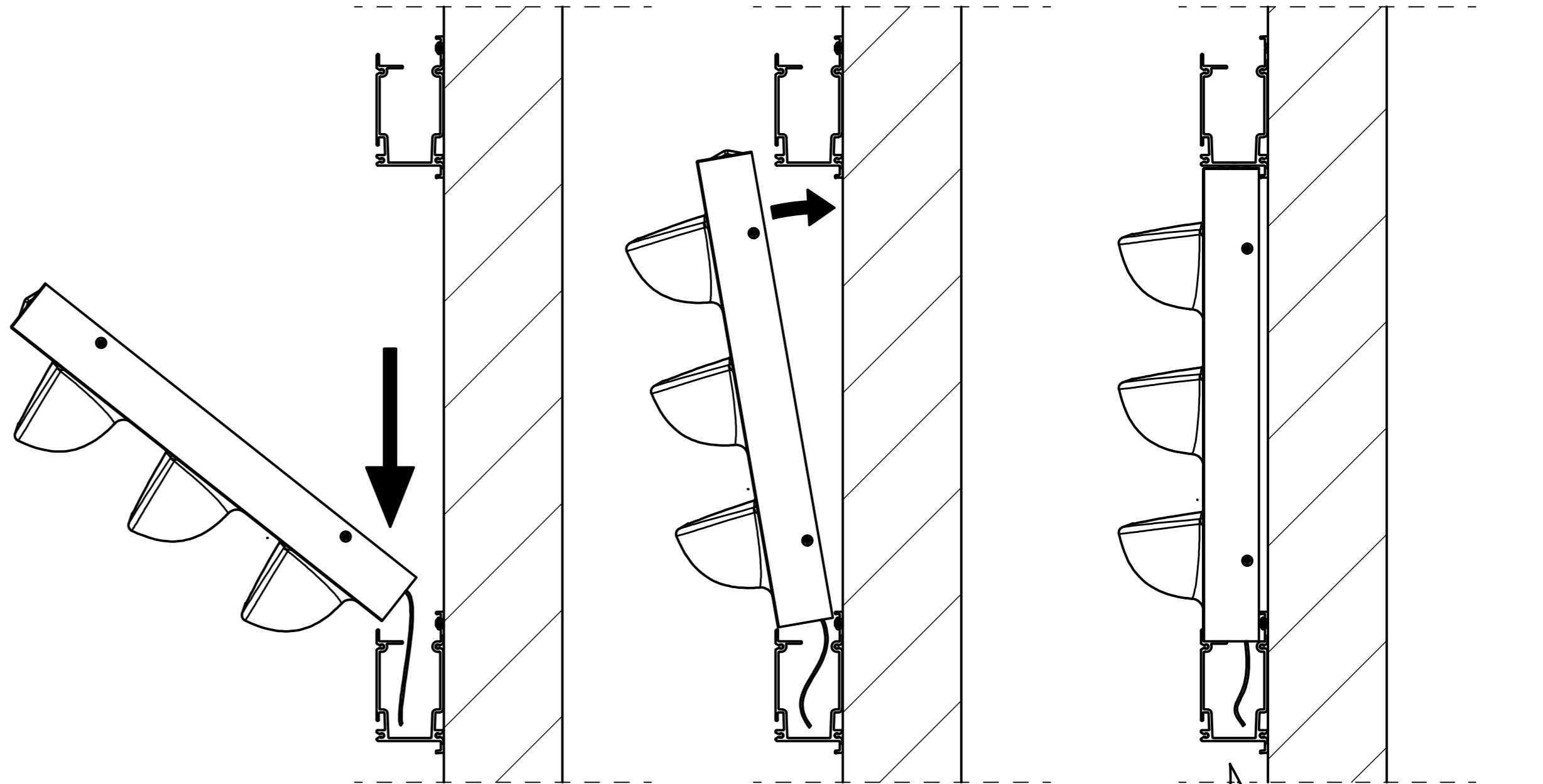
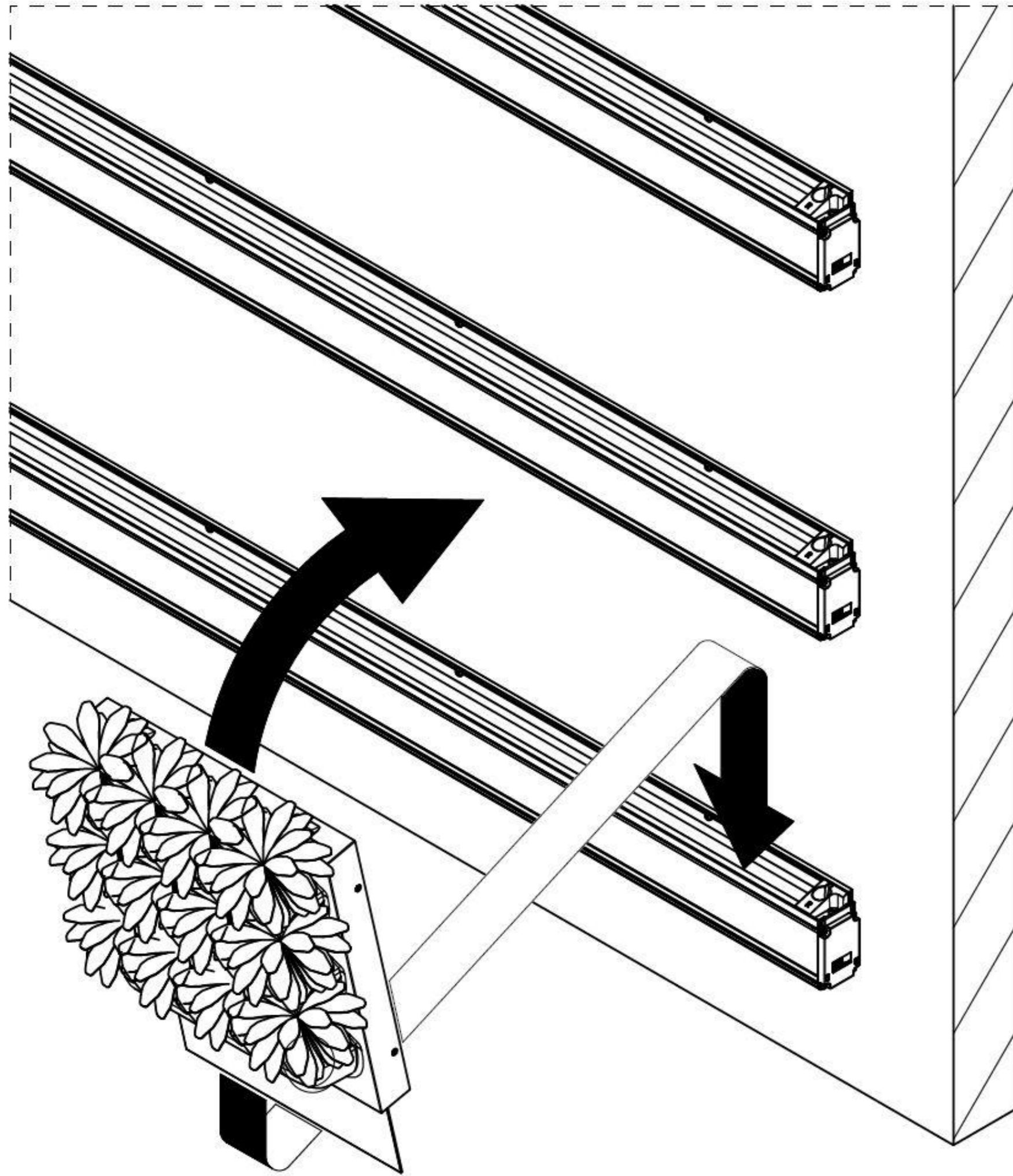
4E



4F



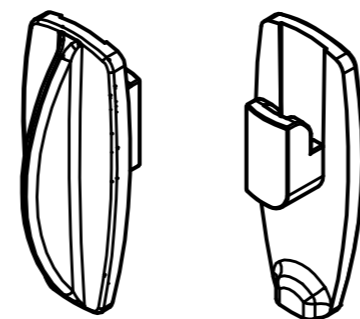
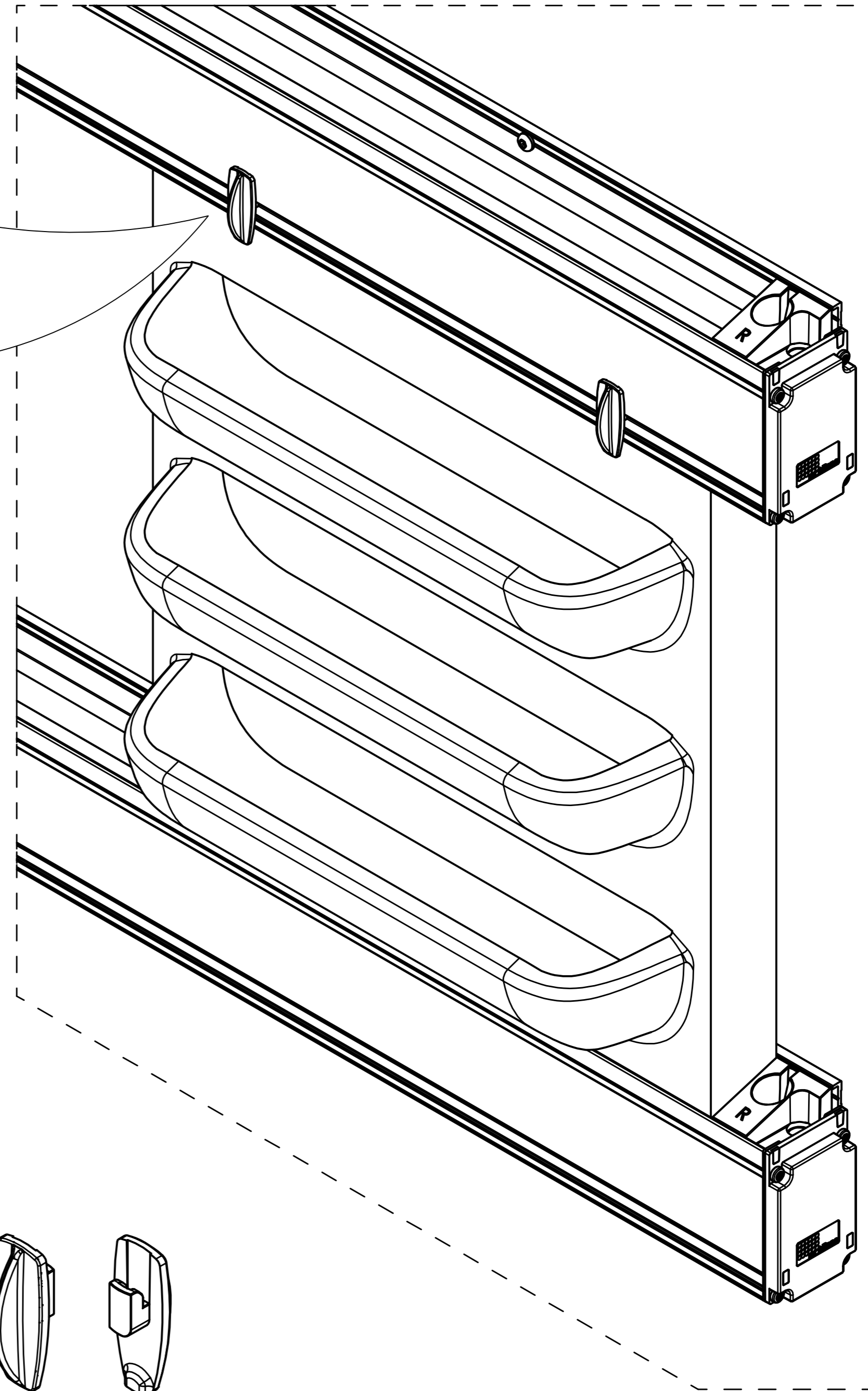
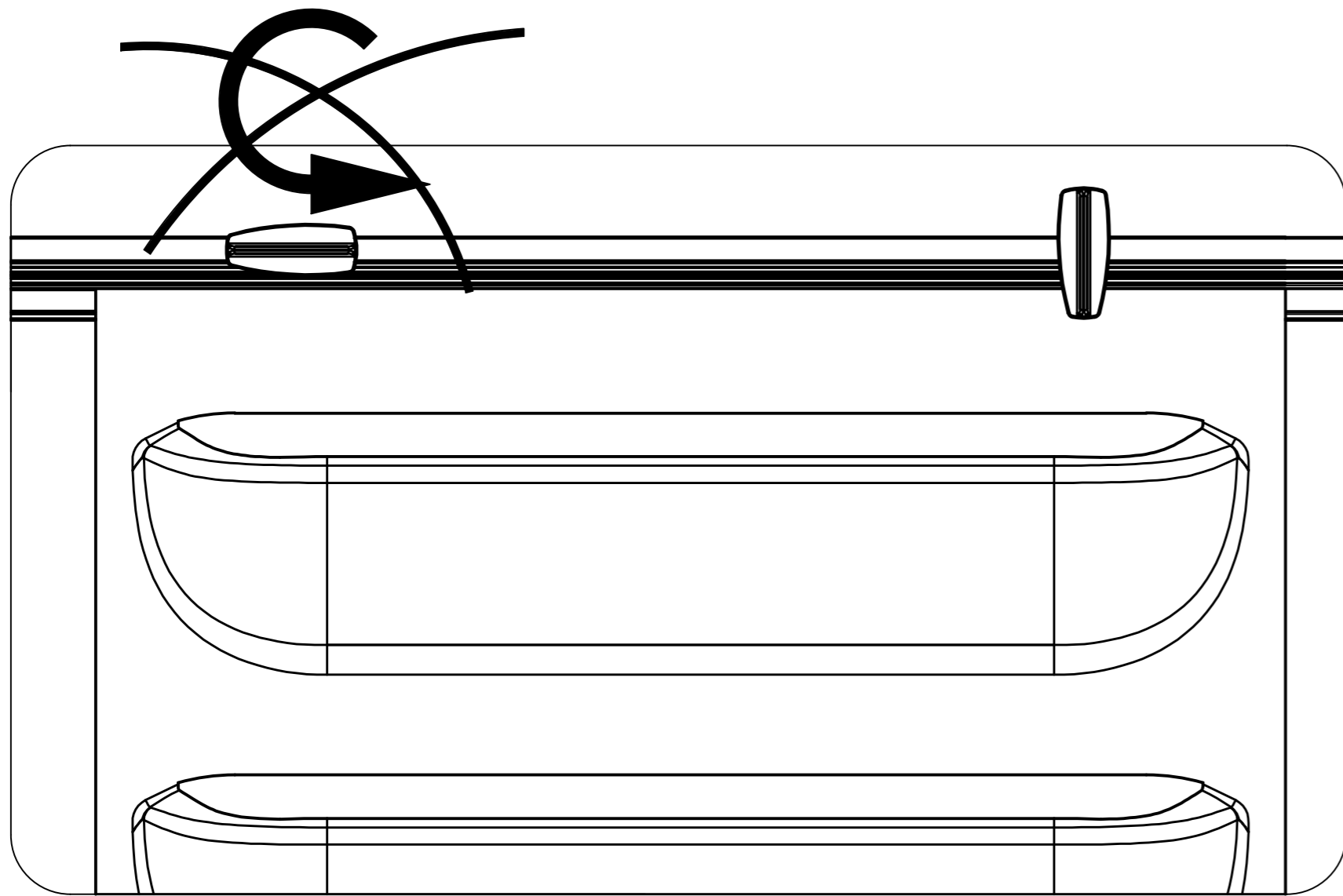
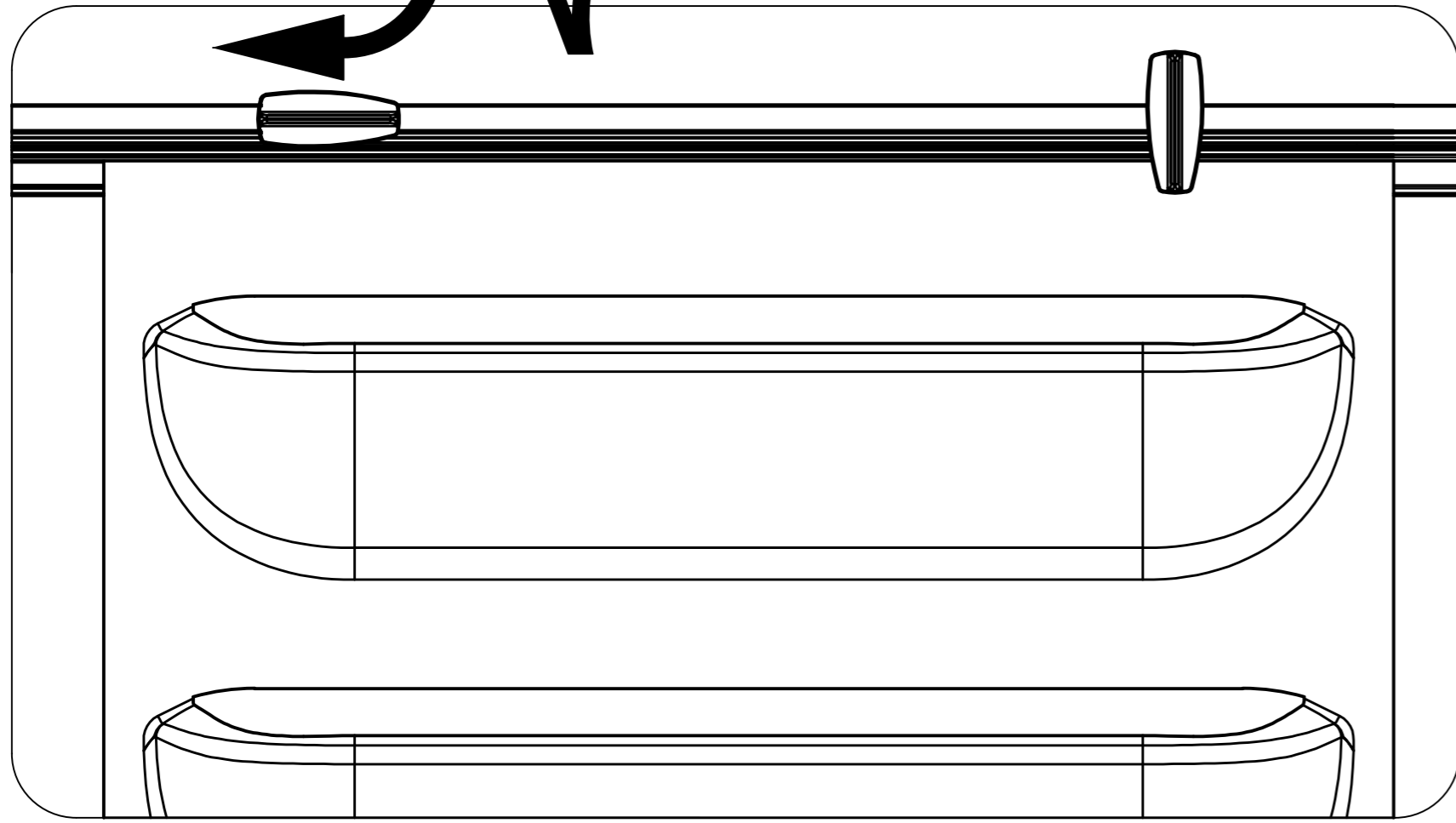
5



CHECK!

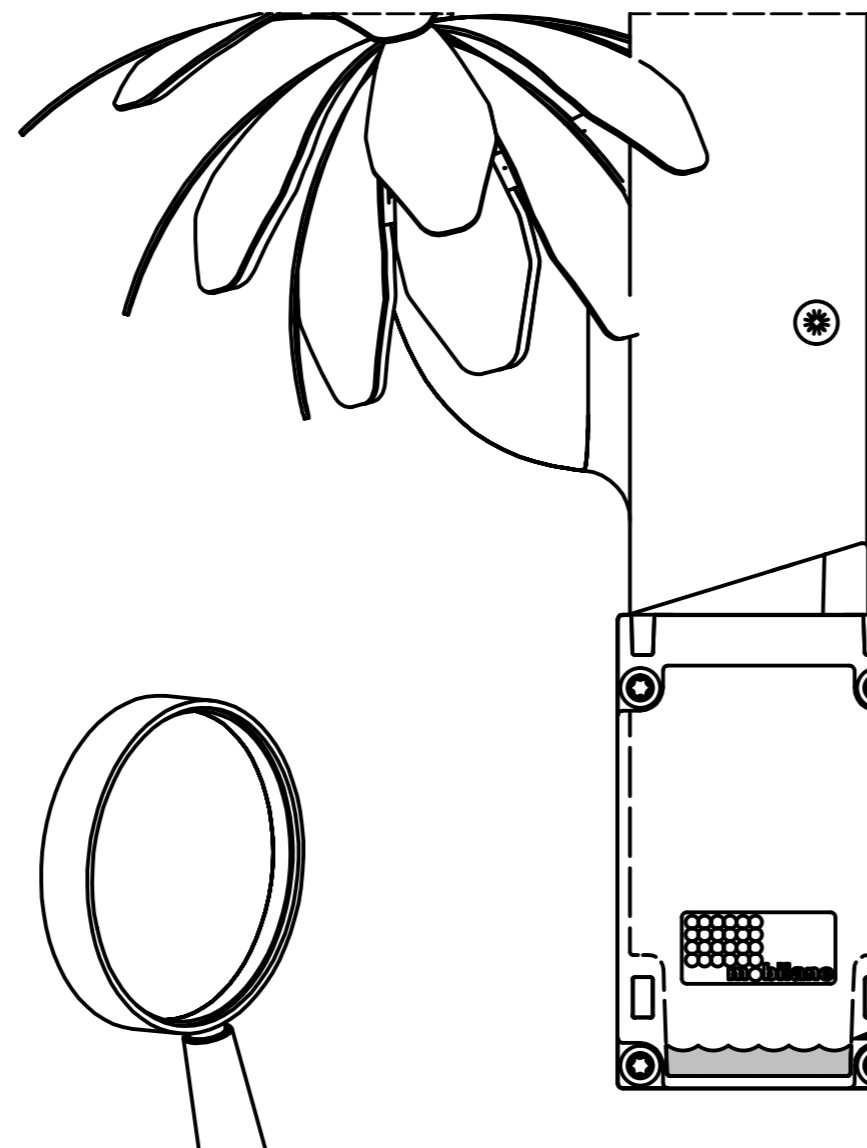
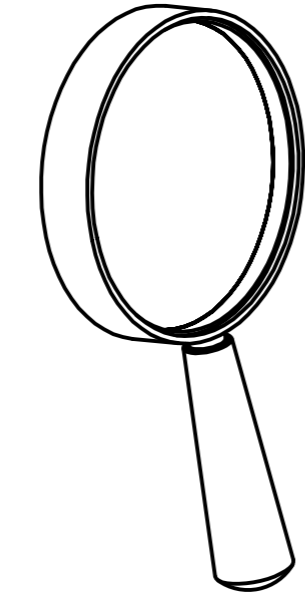
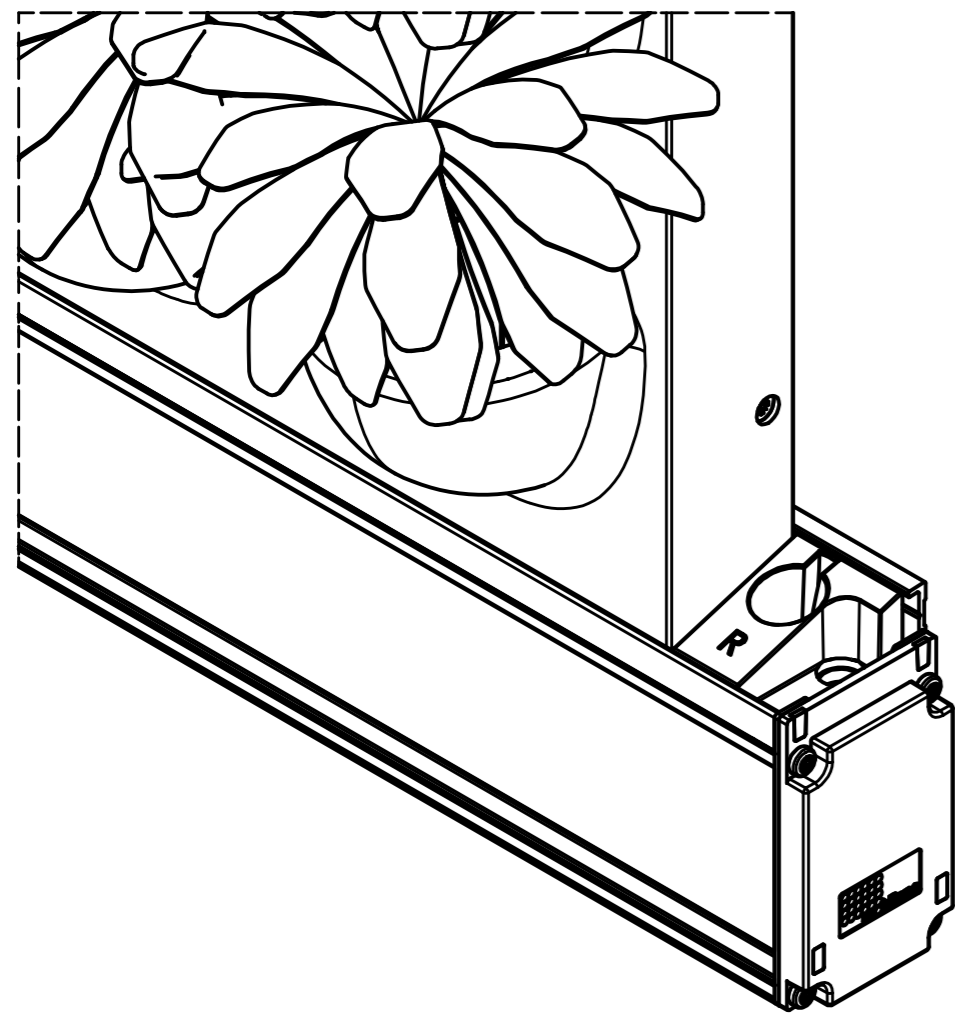
6

click! 

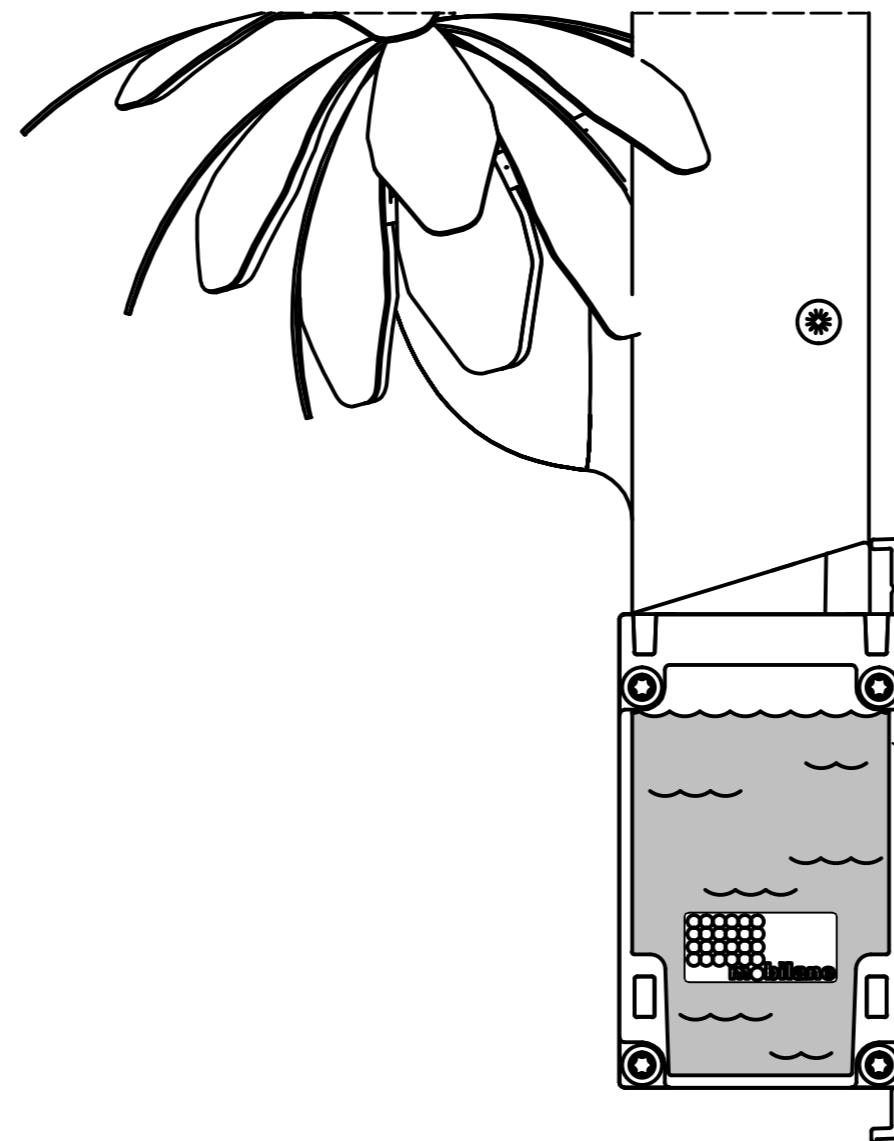
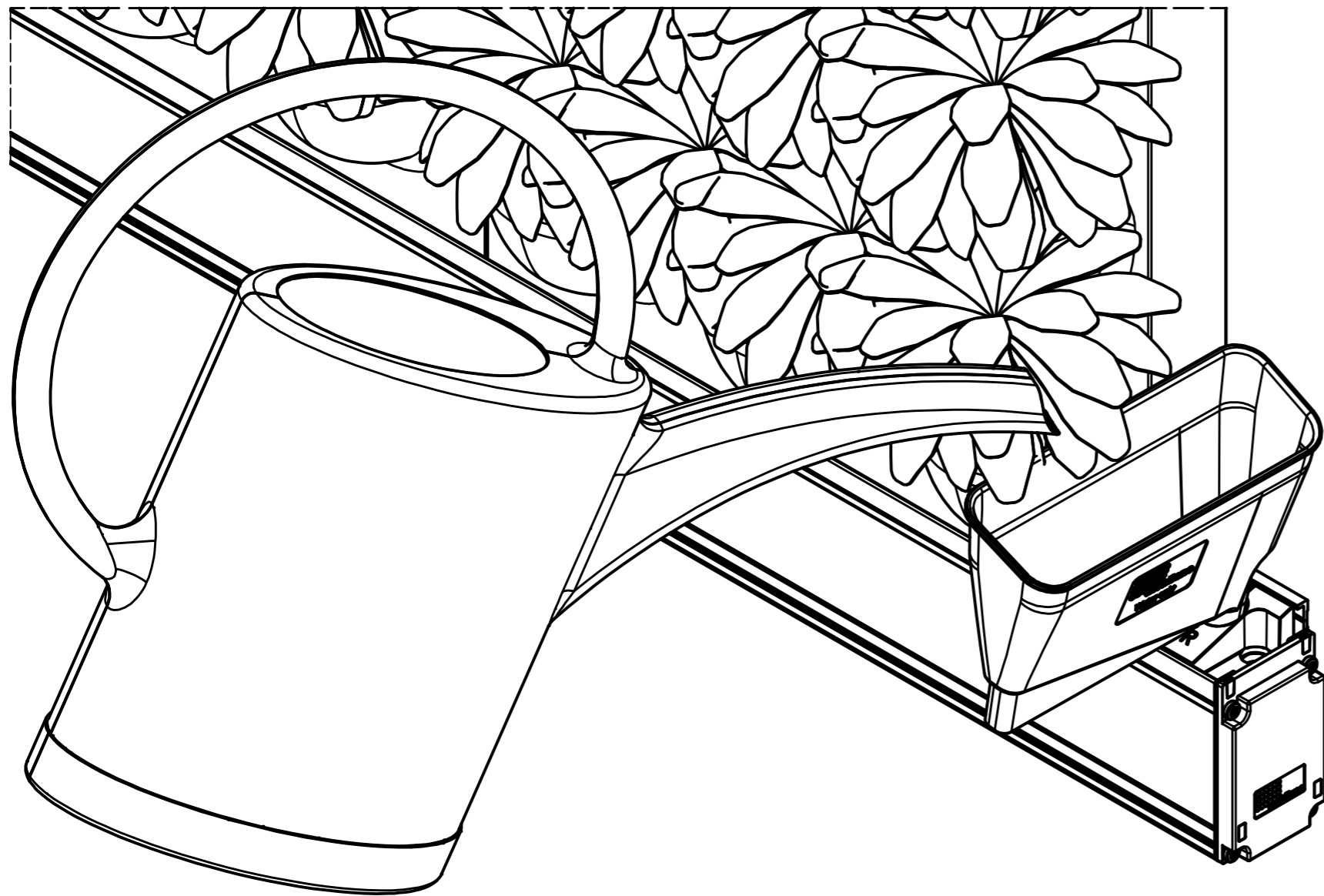
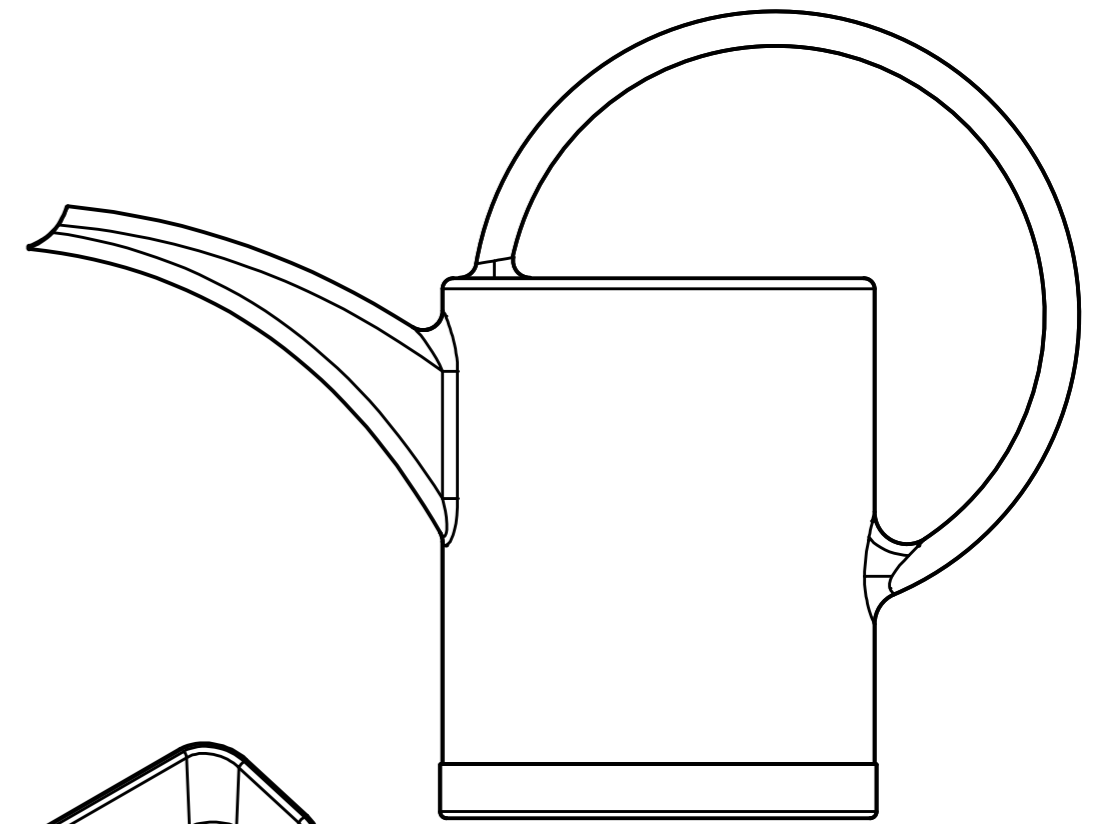
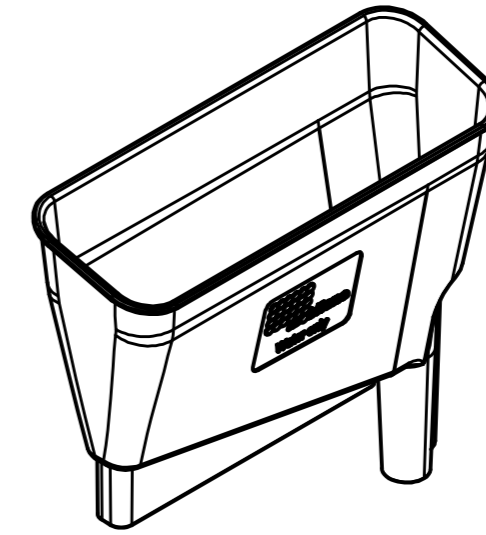
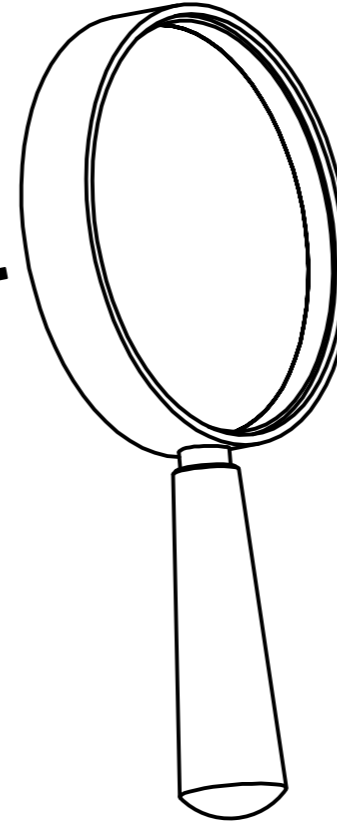


2x

7



! = Fill



! =

