

HOFFMAN FX SERIES

MANUAL UTILITY PRESS

VERSATILE DESIGN & POWERFUL PRESSING

engineered for 80 PSI steam for the efficient removal of wrinkles a for a wide range of general laundry, garments, and linens.

MULTIPLE HEAD/BUCK OPTIONS

Versatility. Available with hot head or steam head and buck. Aluminum or steel heads available.

BOTTOM VACUUM

for easy positioning of garments and linens.

BUILT FOR A LONG LIFE

including heavy duty steel construction and engineered for easy adjustments.

EASY ACCESS PANELS

for servicing of key internal components.



FINGERTIP OPERATION

for low fatigue and high productivity.

AVAILABLE ACCESSORIES

Include steam or steam electric irons and stands, spray gun and condenser, iron low boy, and swing-away sleeve board.

EASY INSTALLATION

just connect to external steam and air and you are ready to go.

LARGE TABLE

for operator comfort, snag free finishing, and easy clean up.

MADE IN THE USA

With the highest quality craftsmanship by our expert technicians.

Customer service provided by the same expert technicians.



BEFORE WE SHIP

we perform a double quality check to ensure that each press is perfect right out of the box.

INNOVATIVE FEATURES

- Total operator control
- Rugged, long-life construction
- Fingertip operation - low fatigue, high productivity
- Simple installation/maintenance (no air or electricity)
- Widest variety of options available
- Easy to use

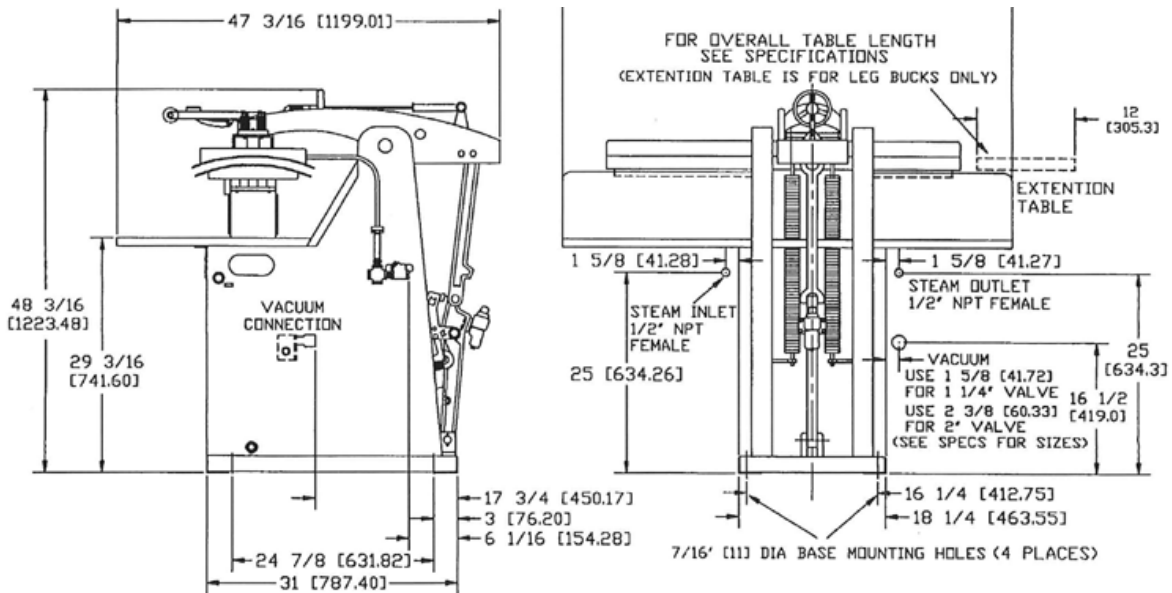
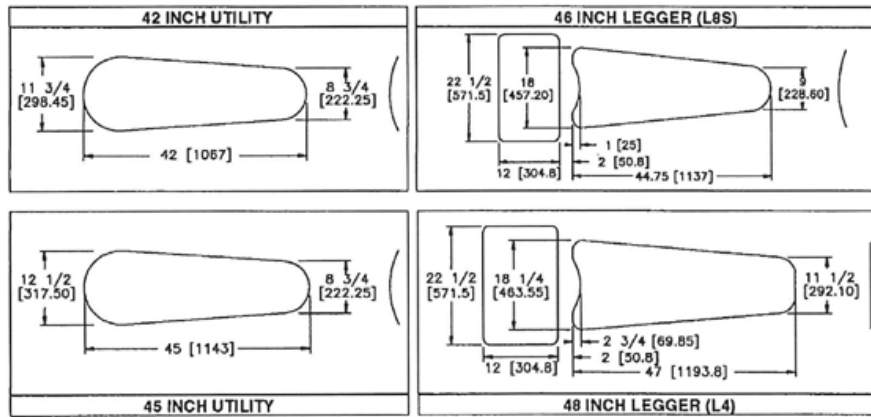
AVAILABLE OPTIONS

- Wide selection of head and buck shapes.
- Heads available in cast aluminum or polished hot heads.
- Steam or steam electric irons and stands.
- Spray gun and condenser.
- Iron low boy and swing-away sleeve board.

SPECIFICATIONS

MODEL	FX 42	FX 45	FX L4	FX 46 (L8S)
Steam Usage @ 80 PSIG	30 LB/HR (13.6 KG/HR)	30 LB/HR (13.6 KG/HR)	28 LB/HR (12.7 KG/HR)	28 LB/HR (12.7 KG/HR)
Max. Steam Pressure	125 PSI (862 K Pa)	125 PSI (862 K Pa)	125 PSI (862 K Pa)	125 PSI (862 K Pa)
Table Length Dimension "A"	56 IN (1422 MM)	56 IN (1422 MM)	56 IN (1422 MM)	56 IN (1422 MM)
Vacuum Size Female NPT	1-1/4 INCH	1-1/4 INCH	2 INCH	2 INCH
Net Machine Weight	595 LB (270 KG)	610 LB (276 KG)	660 LB (300 KG)	645 LB (292 KG)
Shipping Weight	660 LB (300 KG)	675 LB (305 KG)	725 LB (328 KG)	710 LB (321 KG)

BUCK DIMENSIONS (Before Padding)



Equipment is subject to manufacture(s) standard warranty. Accuracy of illustration and description of equipment shown herein applies to product as manufactured at time of publication. ©™ 2023 UnityLab Corp. All rights reserved.