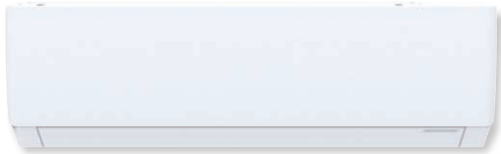




SPLIT TYPE

SUBMITTAL

Model: TWH09AG25A2D



Model		TWH09AG25A2D	
Power Supply	Rated Voltage	V~	208/230
	Rated Frequency	Hz	60
	Phases	-	1
Power Supply Mode		-	Outdoor
Cooling Capacity		Btu/h	9100
Heating Capacity		Btu/h	10500
Cooling Power Input		W	618
Heating Power Input		W	848
Cooling Power Current		A	3
Heating Power Current		A	3.95
Rated Input		W	1343
Rated Cooling Current		A	4.73
Rated Heating Current		A	6
Air Flow Volume		CFM	353/324/294/265/235/177/159/106
Dehumidifying Volume		Pint/h	1.69
EER		(Btu/h)/W	14.72
COP		(Btu/h)/W	12.38
SEER		-	25.5
HSPF		-	12
Application Area		yd ²	53-57

Model of indoor unit		TWH09AG25A2DI	
Indoor Unit	Fan Type	-	Cross-flow
	Fan Diameter Length(D × L)	mm	Φ98 × 630
	Cooling Speed	r/min	1300/1200/1100/1000/900/800/750/500
	Heating Speed	r/min	1300/1200/1100/1000/900/850/800
	Fan Motor Power Output	W	20
	Fan Motor RLA	A	0.22
	Fan Motor Capacitor	μ F	/
	Evaporator Form	-	Aluminum Fin-copper Tube
	Evaporator Pipe Diameter	mm	Φ5
	Evaporator Row-fin Gap	mm	2-1.4
	Evaporator Coil Length (L × D × W)	mm	634 × 22.8 × 304.8
	Swing Motor Model	-	MP24HF / MP24AK / MP24BA
	Swing Motor Power Output	W	1.5 / 1.5 / 1.5
	Fuse Current	A	3.15
	Sound Pressure Level	dB (A)	Cooling: 40/37/35/32/29/26/25/22 Heating: 41/38/36/33/29/27/25
	Sound Power Level	dB (A)	Cooling: 50/47/45/42/39/36/35/32 Heating: 51/48/46/43/39/37/35
	Dimension (W × H × D)	inch	32 31/64 × 11 17/32 × 7 23/32
	Dimension of Carton Box (L × W × H)	inch	34 1/4 × 13 47/64 × 10 1/8
	Dimension of Package (L × W × H)	inch	34 29/64 × 14 3/8 × 10 35/64
	Net Weight	lb	20.9
Gross Weight	lb	25.4	

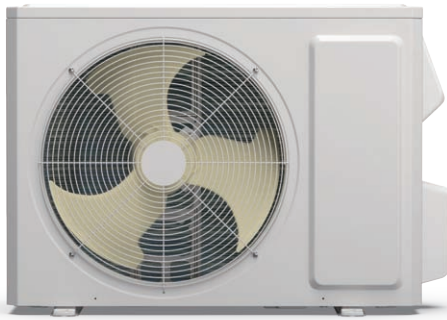
Job Name:

Schedule Reference:

Date:



Model: TWH09AG25A2D



Outdoor Unit Model		TWH09AG25A2DO	
Outdoor Unit	Compressor Manufacturer	-	ZHUHAI LANDA COMPRESSOR CO., LTD
	Compressor Model	-	QXF-B103zH170E
	Compressor Oil	-	FW68DA
	Compressor Type	-	Rotary
	Compressor LRA.	A	/
	Compressor RLA	A	6.5
	Compressor Power Input	W	800
	Compressor Overload Protector	-	/
	Throttling Method	-	Electron expansion valve
	Set Temperature Range	°F	61~86
	Cooling Operation Ambient Temperature Range	°F	-20~122
	Heating Operation Ambient Temperature Range	°F	-22~86
	Condenser Form	-	Aluminum Fin-copper Tube
	Condenser Pipe Diameter	mm	Φ7
	Condenser Rows-fin Gap	mm	2-1.4
	Condenser Coil Length (L × D × W)	mm	761.5 × 38.1 × 528
	Fan Motor Speed	rpm	850
	Fan Motor Power Output	W	30
	Fan Motor RLA	A	0.4
	Fan Motor Capacitor	μF	/
	Outdoor Unit Air Flow Volume	CFM	1295
	Fan Type	-	Axial-flow
	Fan Diameter	mm	Φ420
	Defrosting Method	-	Automatic Defrosting
	Climate Type	-	T1
	Isolation	-	I
	Moisture Protection	-	IPX4
	Permissible Excessive Operating Pressure for the Discharge Side	MPa	4.3
	Permissible Excessive Operating Pressure for the Suction Side	MPa	2.5
	Sound Pressure Level	dB (A)	52
	Sound Power Level	dB (A)	63
	Dimension (W × H × D)	inch	31 37/64 × 21 27/32 × 3 25/32
	Dimension of Carton Box (L × W × H)	inch	34 7/32 × 15 35/64 × 23 25/64
Dimension of Package (L × W × H)	inch	34 21/64 × 5 43/64 × 24 13/32	
Net Weight	lb	70.6	
Gross Weight	lb	76.1	
Refrigerant	-	R410A	
Refrigerant Charge	oz	35.3	
Connection Pipe	Connection Pipe Length	ft	24.6
	Connection Pipe Gas Additional Charge	oz/ft	0.2
	Outer Diameter Liquid Pipe	inch	1/4
	Outer Diameter Gas Pipe	inch	3/8
	Max Distance Height	ft	32.8
	Max Distance Length	ft	49.2
Note: The connection pipe applies metric diameter.			

The above data is subject to change without notice. Please refer to the nameplate of the unit.

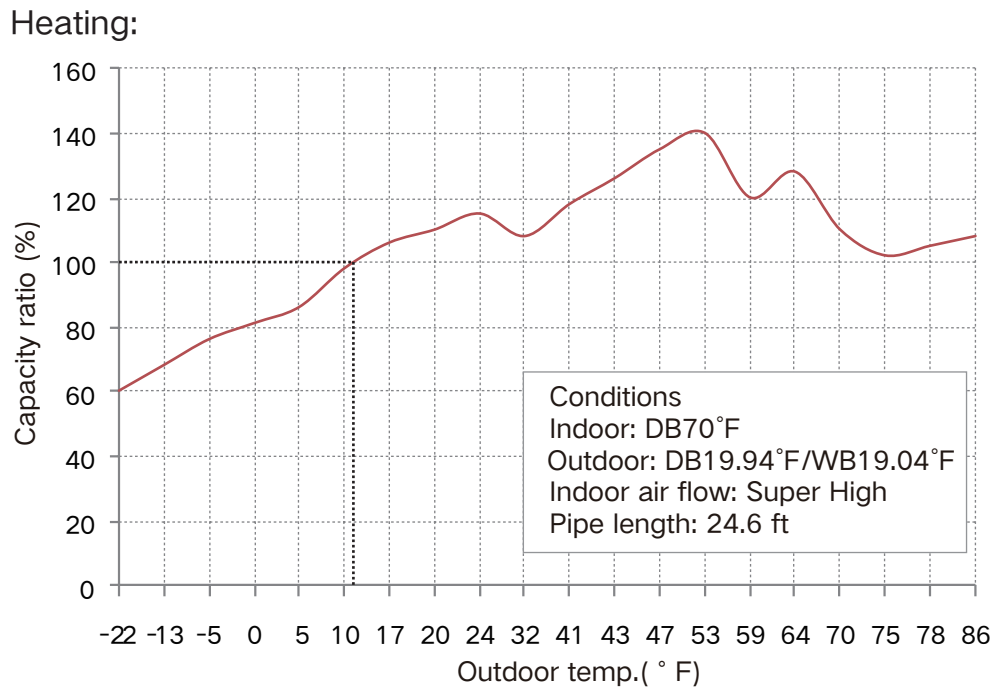
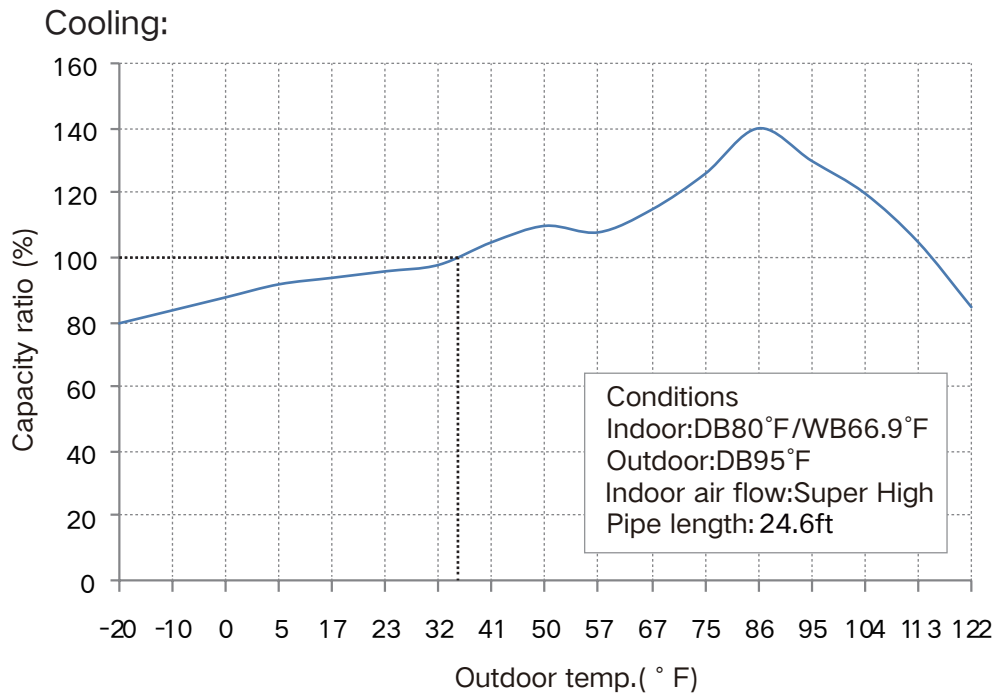
Job Name:

Schedule Reference:

Date:

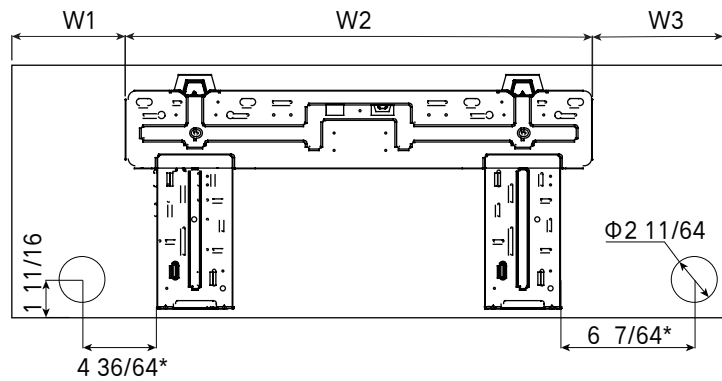
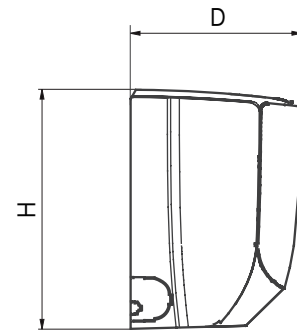
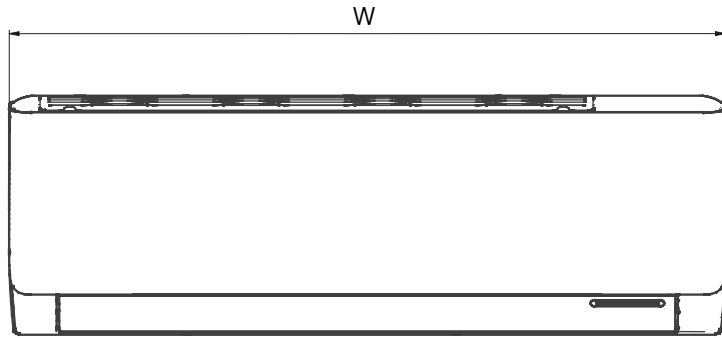


Capacity Variation Ratio According to Temperature





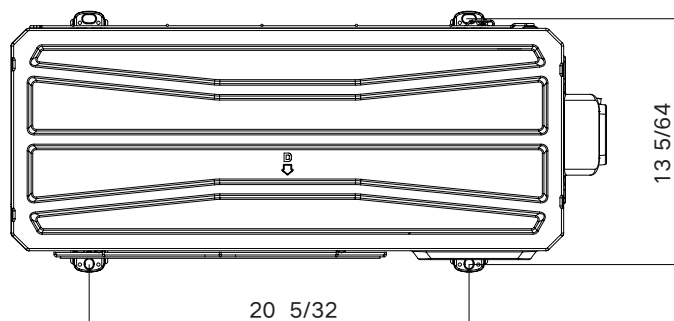
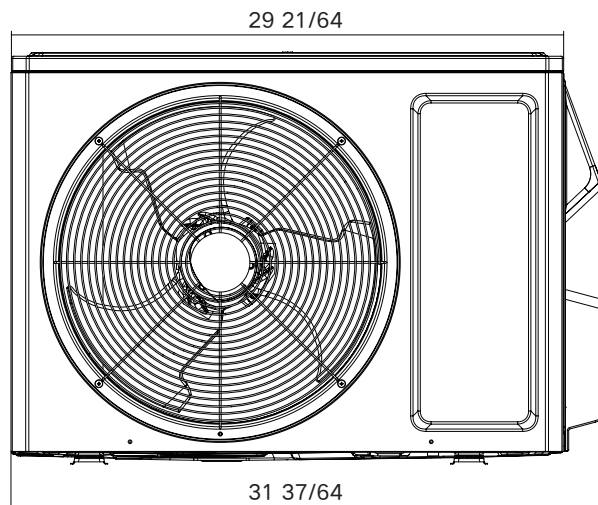
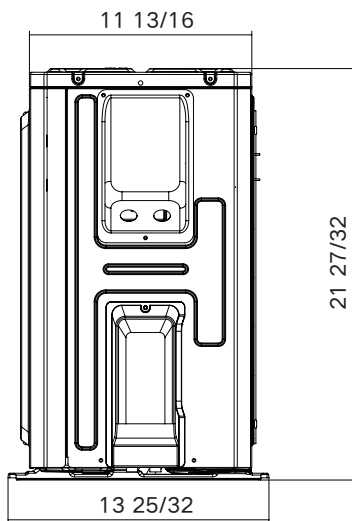
Outline Dimension Diagram



Unit: inch

Model	W	H	D
AGC	32 31/64	11 17/32	7 23/32
	W1	W2	W3
	4 29/64	21 11/32	6 11/16

* Recommending distances



Unit: inch



Installation Dimension Diagram

