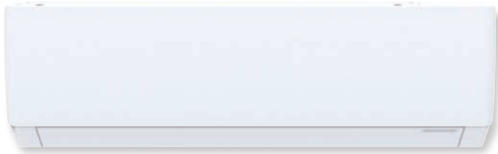




SPLIT TYPE

SUBMITTAL

Model: TWH24AG25A2D



| Model | | TWH24AG25A2D | |
|-----------------------|-------------------------------------|-----------------|--|
| Power Supply | Rated Voltage | V~ | 208/230 |
| | Rated Frequency | Hz | 60 |
| | Phases | - | 1 |
| Power Supply Mode | | - | Outdoor |
| Cooling Capacity | | Btu/h | 22000 |
| Heating Capacity | | Btu/h | 24000 |
| Cooling Power Input | | W | 1679 |
| Heating Power Input | | W | 1870 |
| Cooling Power Current | | A | 8.1 |
| Heating Power Current | | A | 8.8 |
| Rated Input | | W | 3100 |
| Rated Cooling Current | | A | 15.3 |
| Rated Heating Current | | A | 13.5 |
| Air Flow Volume | | CFM | 736/589/530/471/441/412/383 |
| Dehumidifying Volume | | Pint/h | 5.072 |
| EER | | (Btu/h)/W | 13.1 |
| COP | | (Btu/h)/W | 12.8 |
| SEER | | - | 24 |
| HSPF | | - | 11 |
| Application Area | | yd ² | 32-50 |
| Model of indoor unit | | TWH24AG25A2DI | |
| Indoor Unit | Fan Type | - | Cross-flow |
| | Fan Diameter Length(D × L) | mm | Φ108 × 830 |
| | Cooling Speed | r/min | 1500/1150/1100/1000/950/900/850 |
| | Heating Speed | r/min | 1500/1200/1100/1050/1000/950/900 |
| | Fan Motor Power Output | W | 60 |
| | Fan Motor RLA | A | 0.3 |
| | Fan Motor Capacitor | μF | / |
| | Evaporator Form | - | Aluminum Fin-copper Tube |
| | Evaporator Pipe Diameter | mm | Φ7 |
| | Evaporator Row-fin Gap | mm | 2-1.4 |
| | Evaporator Coil Length (L × D × W) | mm | 845 × 25.4 × 342.9 |
| | Swing Motor Model | - | MP24AK/MP24HF/MP24HF |
| | Swing Motor Power Output | W | 1.5/1.5/1.5 |
| | Fuse Current | A | 3.15 |
| | Sound Pressure Level | dB (A) | Cooling: 52/44/42/39/38/36/34 Heating: 52/44/42/39/38/36/34 |
| | Sound Power Level | dB (A) | Cooling: 62/54/52/49/48/46/44 Heating: 62/54/52/49/48/46/44 |
| | Dimension (W × H × D) | inch | 42 21/64 × 13 7/64 × 9 11/16 |
| | Dimension of Carton Box (L × W × H) | inch | 44 13/32 × 15 63/64 × 12 23/32 |
| | Dimension of Package (L × W × H) | inch | 44 39/64 × 16 19/64 × 13 7/64 |
| | Net Weight | lb | 35.3 |
| Gross Weight | lb | 41.9 | |

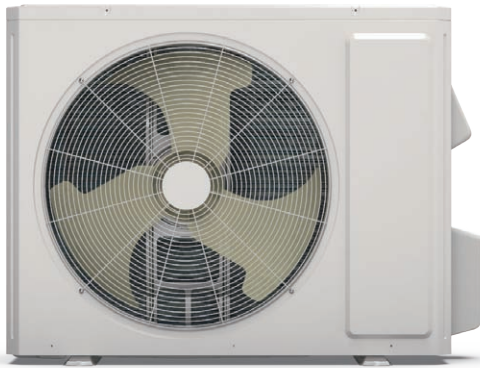
Job Name:

Schedule Reference:

Date:



Model: TWH24AG25A2D



| Outdoor Unit Model | | TWH24AG25A2DO | |
|-------------------------------------|---|--------------------------------|----------------------------------|
| Outdoor Unit | Compressor Manufacturer | - | ZHUHAI LANDA COMPRESSOR CO., LTD |
| | Compressor Model | - | QXFS-M180zX170 |
| | Compressor Oil | - | / |
| | Compressor Type | - | Rotary |
| | Compressor LRA. | A | 24 |
| | Compressor RLA | A | 11 |
| | Compressor Power Input | W | 1350 |
| | Compressor Overload Protector | - | HPC 115/95U1 KSD115°C |
| | Throttling Method | - | Electron expansion valve |
| | Set Temperature Range | °F | 61~86 |
| | Cooling Operation Ambient Temperature Range | °F | -20~122 |
| | Heating Operation Ambient Temperature Range | °F | -22~86 |
| | Condenser Form | - | Aluminum Fin-copper Tube |
| | Condenser Pipe Diameter | mm | Φ7 |
| | Condenser Rows-fin Gap | mm | 2-1.4 |
| | Condenser Coil Length (L × D × W) | mm | 955 × 38.1 × 704 |
| | Fan Motor Speed | rpm | 850 |
| | Fan Motor Power Output | W | 90 |
| | Fan Motor RLA | A | 0.6 |
| | Fan Motor Capacitor | μ F | / |
| | Outdoor Unit Air Flow Volume | CFM | 2648 |
| | Fan Type | - | Axial-flow |
| | Fan Diameter | mm | Φ570 |
| | Defrosting Method | - | Automatic Defrosting |
| | Climate Type | - | T1 |
| | Isolation | - | I |
| | Moisture Protection | - | IPX4 |
| | Permissible Excessive Operating Pressure for the Discharge Side | MPa | 4.3 |
| | Permissible Excessive Operating Pressure for the Suction Side | MPa | 2.5 |
| | Sound Pressure Level | dB (A) | 62 |
| | Sound Power Level | dB (A) | 72 |
| | Dimension (W × H × D) | inch | 39 3/8 × 29 3/8 × 16 13/16 |
| Dimension of Carton Box (L × W × H) | inch | 42 13/32 × 18 57/64 × 30 29/32 | |
| Dimension of Package (L × W × H) | inch | 42 33/64 × 19 1/64 × 31 57/64 | |
| Net Weight | lb | 125.7 | |
| Gross Weight | lb | 136.7 | |
| Refrigerant | - | R410A | |
| Refrigerant Charge | oz | 60 | |
| Connection Pipe | Connection Pipe Length | ft | 24.6 |
| | Connection Pipe Gas Additional Charge | oz/ft | 0.5 |
| | Outer Diameter Liquid Pipe | inch | 1/4 |
| | Outer Diameter Gas Pipe | inch | 5/8 |
| | Max Distance Height | ft | 82 |
| | Max Distance Length | ft | 131.2 |
| | Note: The connection pipe applies metric diameter. | | |

The above data is subject to change without notice. Please refer to the nameplate of the unit.

Job Name:

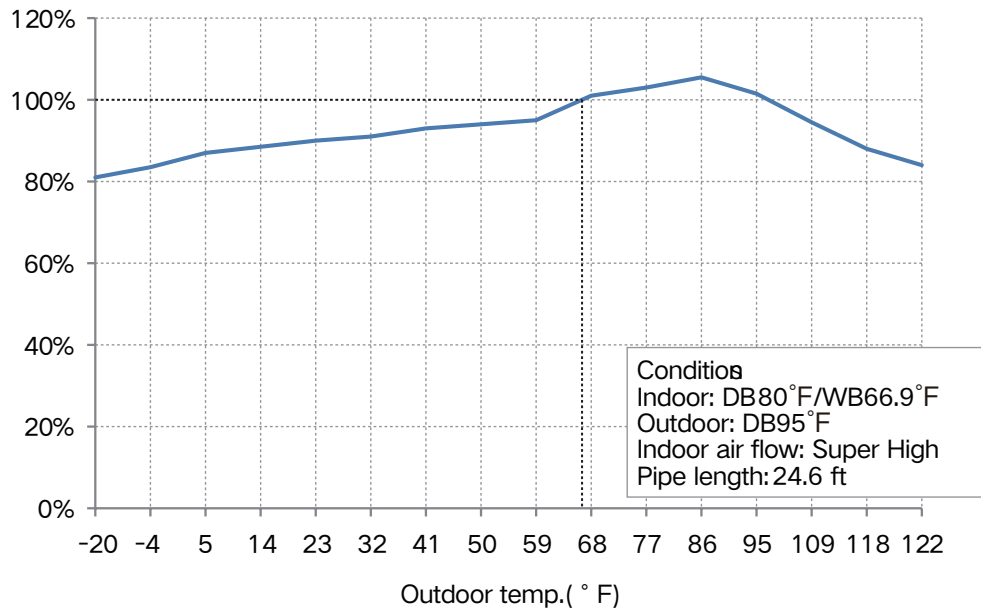
Schedule Reference:

Date:

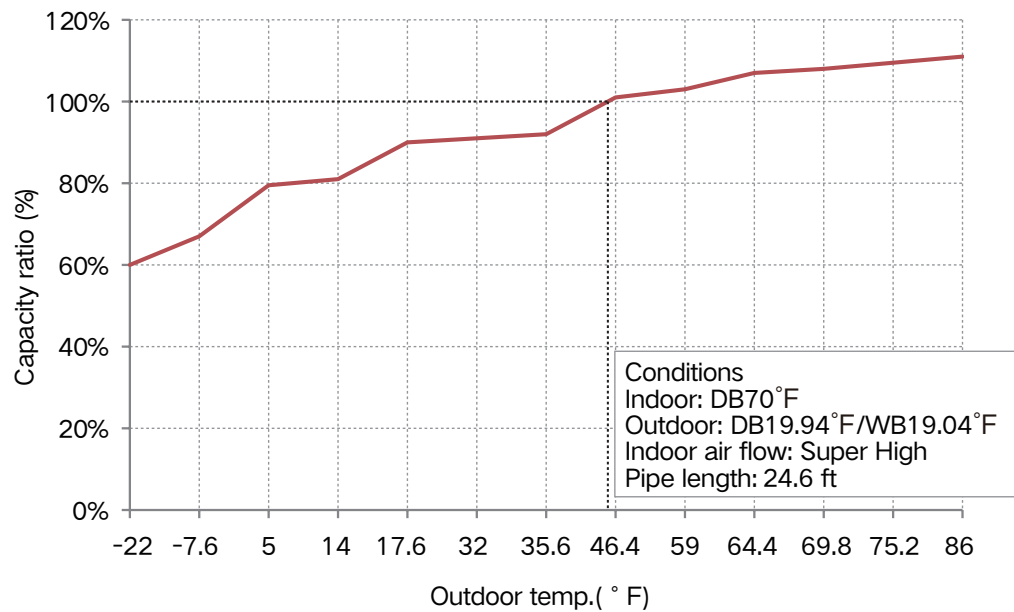


Capacity Variation Ratio According to Temperature

Cooling:

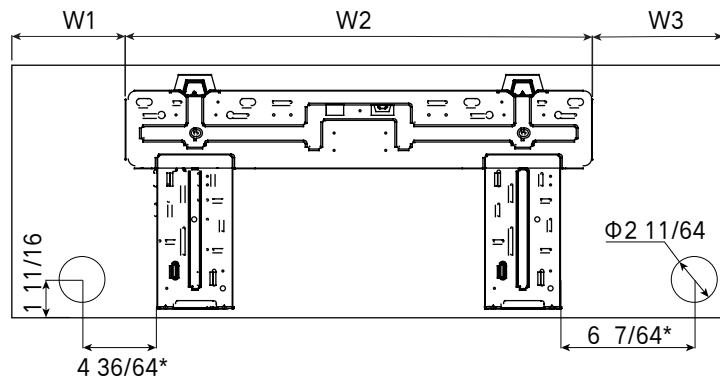
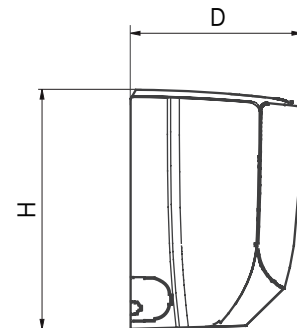
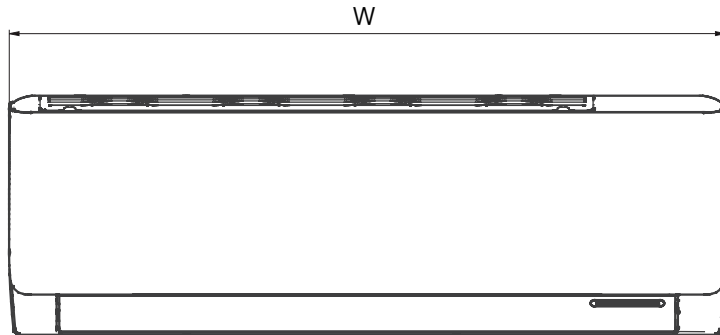


Heating:





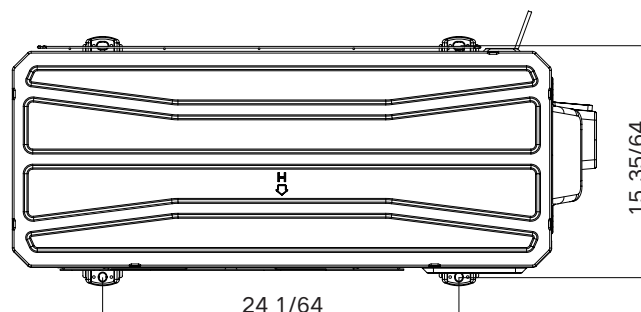
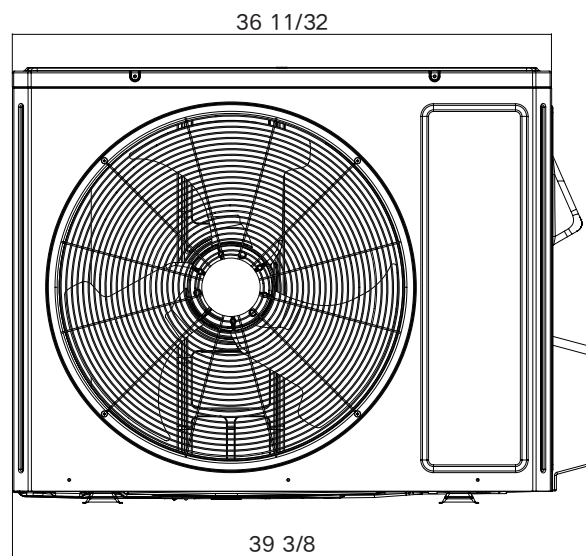
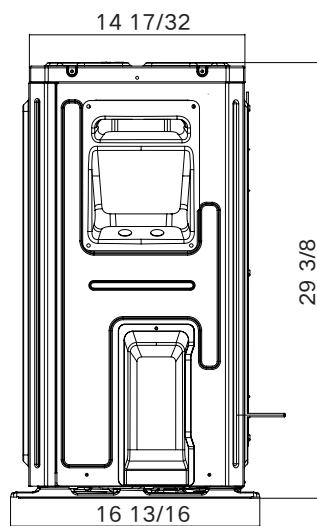
Outline Dimension Diagram



Unit: inch

| Model | W | H | D |
|-------|--------------------|--------------------|-------------------|
| AGC | $32 \frac{31}{64}$ | $11 \frac{17}{32}$ | $7 \frac{23}{32}$ |
| | W1 | W2 | W3 |
| | $4 \frac{29}{64}$ | $21 \frac{11}{32}$ | $6 \frac{11}{16}$ |

* Recommending distances



Unit: inch



Installation Dimension Diagram

