

HOFFMAN

# BC SERIES – DRY CLEANING PRESS

AUTOMATIC UTILITY PRESS

## VERSATILE DESIGN & POWERFUL PRESSING

engineered for 80 PSI steam for the efficient removal of wrinkles for a wide range of general laundry, garments, and linens.

## MULTIPLE HEAD/BUCK OPTIONS

Selection of various size utility & legger heads with some patterns available in aluminum

## BOTTOM VACUUM

for easy positioning of garments and linens.

## BUILT FOR A LONG LIFE

including heavy duty steel construction and engineered for easy adjustments.

## EASY ACCESS PANELS

for servicing of key internal components.

## BEFORE WE SHIP

we perform a double quality check to ensure that each press is perfect right out of the box.

## AUTOMATIC PRESS

for low fatigue and high productivity.

## EASY INSTALLATION

just connect to external steam and air and you are ready to go.

## AVAILABLE ACCESSORIES

Include steam or steam electric irons and stands, spray gun and condenser, iron low boy, and swing-away sleeve board.

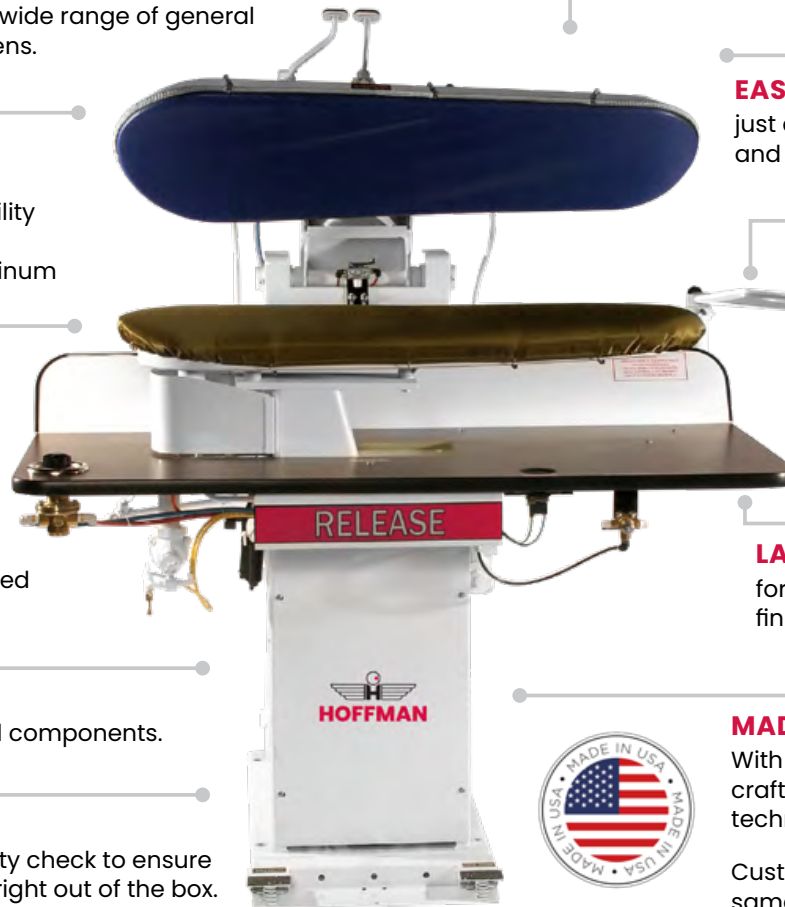
## LARGE TABLE

for operator comfort, snag free finishing, and easy clean up.

## MADE IN THE USA

With the highest quality craftsmanship by our expert technicians.

Customer service provided by the same expert technicians.



## INNOVATIVE FEATURES

- Compact frame – minimal floor space
- Ergonomic soft touch operating buttons and foot pedals for operator comfort
- Extremely quiet and smooth operation
- Extra wide head opening provides easy access to and unrestricted view of the garment
- Simplified pneumatic control system for easy maintenance and reliability
- Heavy-duty steel frame and linkage for exceptional durability
- Lock with pressure or no-lock selector switch

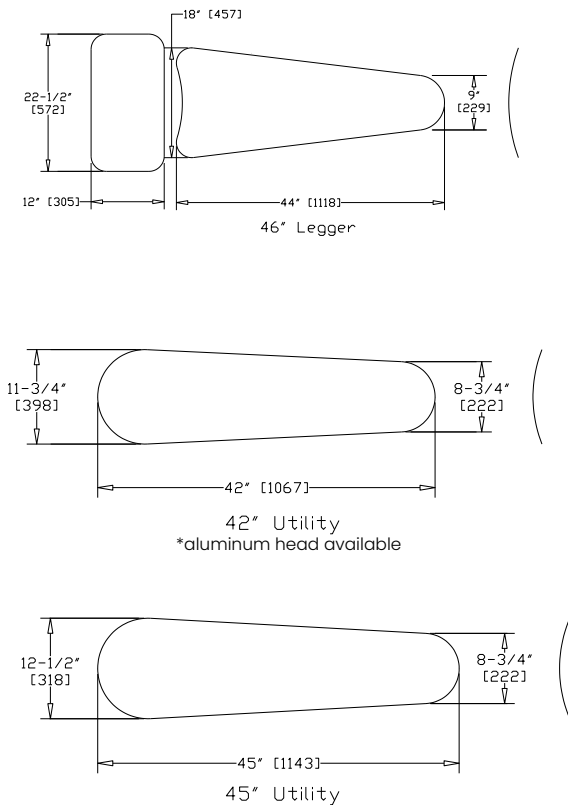
## AVAILABLE OPTIONS

- Digital release timer
- CE certification
- Swing-away sleeve board with vacuum
- Steam vacuum valve
- Steam/electric iron and lowboy
- Cast aluminum head
- All-steam iron
- Left hand head and buck mounting
- Water spray gun and condenser
- Wide selection of head and buck shapes
- ASME certification
- Optional Sleever & Iron with Stand

## SPECIFICATIONS

MODEL	BC-42	BC-45	FBC-46T
Steam Usage @ 80 PSIG	30 LB/HR (13.6 KG/HR)	30 LB/HR (13.6 KG/HR)	30 LB/HR (13.6 KG/HR)
Max. Steam Pressure	125 PSI (862 K Pa)	125 PSI (862 K Pa)	125 PSI (862 K Pa)
Air Consumption Free Air per Cycle @ 80 psi	0.69ft <sup>3</sup> (0.02 M <sup>3</sup> )	0.69ft <sup>3</sup> (0.02 M <sup>3</sup> )	0.69ft <sup>3</sup> (0.02 M <sup>3</sup> )
Max. Air Pressure	80 psi (552 K Pa)	80 psi (552 K Pa)	80 psi (552 K Pa)
Vacuum Size – NPT Female	1-1/4"	1-1/4"	2"
Voltage	120/220	120/220	120/220
Table Length Dimension "C"	51 IN (1295 MM)	51 IN (1295 MM)	48 IN (1219 MM)
Net Machine Weight	575 LB (260 KG)	590 LB (267 KG)	625 LB (283 KG)
Shipping Weight	625 LB (283 KG)	640 LB (290 KG)	675 LB (305 KG)

## BUCK DIMENSIONS (Before Padding)



- A 51 1/2" [1308]
- B 39" [991]
- C Dimension "C"  
(see table)

