

Submittal Data: **TU60-24ADU** **60000 BTU/H (208/230V) HEAT PUMP SYSTEM**

Job Name	Location	Date
Purchaser	Engineer	
Submitted To	For	<input type="checkbox"/> Reference <input type="checkbox"/> Approval <input type="checkbox"/> Construction
Unit Designation	Schedule No.	

GENERAL FEATURES

- Side Discharge Outdoor Unit
- Zero Lot Line Design
- Match with Gree or Competitive Indoor Unit
- Designed for New Construction or Replacement Market
- Quiet Outdoor Operation - 55 dB(A)
- 24VAC Thermostat Compatible
- Acrylic Resin/Anti-Corrosion Fin Coating
- 5yrs. Limited Compressor & Parts Warranty (Residential Only)



AHRI Certified Ref No: [205984664](#)

SYSTEM RATINGS **INDOOR UNIT DATA - TUD60-24AH2ADU**

Cooling	
Rated Capacity (BTU/H)	54000
Capacity Range (BTU/H)	35000-54000
Power Input (W)	5140
SEER	17
EER	10.5

Fan Motor	Output Power (HP)	1
	FLA (A)	3.2
Airflow	CFM	1600
	Rated External Static Pressure	0.2
	External Static Pressure Range (InWg)	0-4
	Sound Pressure Level (dB(A))	51

Heating	
Rated Capacity at 47° F (BTU/H)	54000
Capacity Range (BTU/H)	35000-60000
Power Input (W)	4590
HSPF	10
COP	3.45

Dehumidification (pt/hr)	7
Power Supply (Dedicated Circuit: Size Per Local Code)	
Normal Operational Voltage	208/230 V, 1 Phase, 60 Hz
Voltage Range	187 - 253 V
MCA (A)	4
MOCP/Breaker Size (A)	15

Heating	
Rated Capacity at 17° F (BTU/H)	38000
Power Input (W)	4230
COP	2.63

Operating Range		
Cooling	(Max)	129°F (46°C)
	(Min)	5°F (-18°C)
Heating	(Max)	75°F (24°C)
	(Min)	-22°F (-30°C)

OUTDOOR UNIT DATA - TU60-24WADU

Compressor	DC Inverter Driven Rotary
RLA (A)	19
Refrigerant Type	R410A

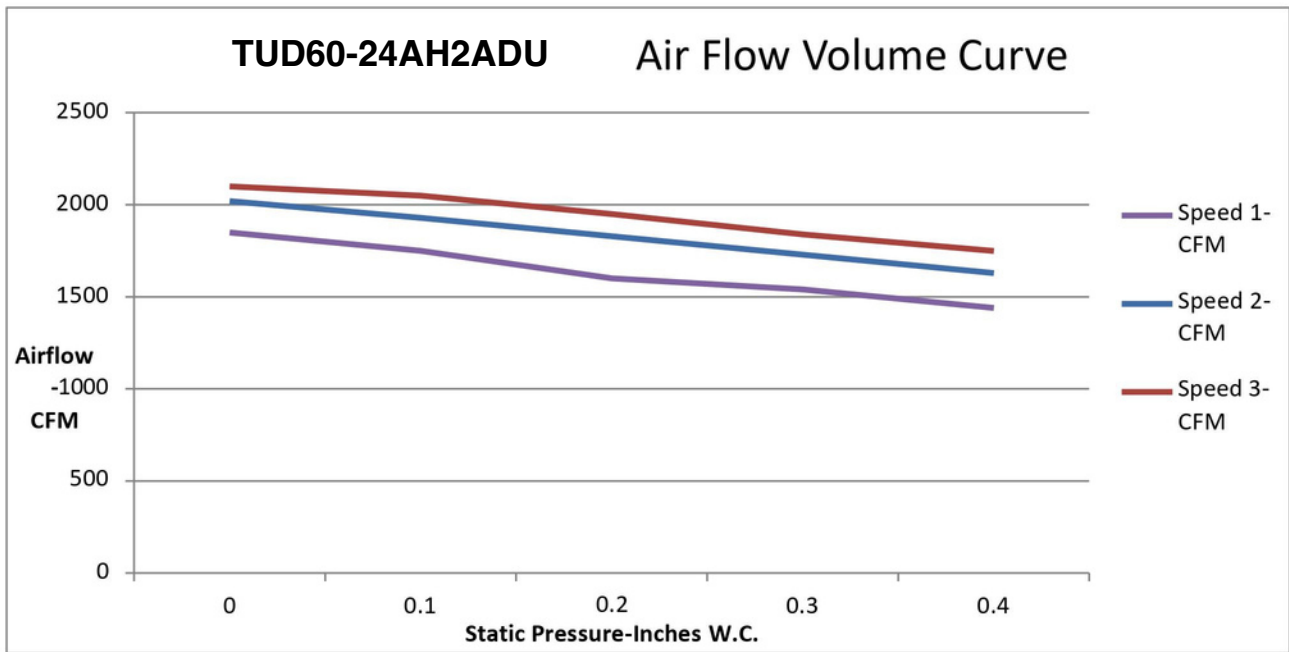
Refrigerant Piping Data	
Gas Pipe Size - OD (in)	3/4
Liquid Pipe Size - OD (in)	3/8
Connection Method	Flared
Factory Charge (oz)	220.8
Additional Charge (oz/ft)	0.3
Factory Charge Length (ft)	25
MAX Refrigerant Pipe Length (ft)	98
MIN Refrigerant Pipe Length (ft)	10
MAX Refrigerant Pipe Elevation (ft)	49

Fan Motor	Output Power (HP)	1/5 x 2
	FLA (A)	1.5 x 2
Crankcase Heater (W)		40
Sound Pressure Level - dB(A)		58
Power Supply (Dedicated Circuit: Size Per Local Code)		
Normal Operational Voltage	208/230 V, 1 Phase, 60 Hz	
Voltage Range (V)	187 - 253	
MCA (A)	35	
MOCP/Breaker Size (A)	45	



SYSTEM FEATURES	
Compressor	Inverter
Ultra Low Frequency Torque Control	YES
Power Factor Correction	YES
Compressor Type	Rotary
Refrigerant Type	R410A
Outdoor Electronic Expansion Valve (EEV)	YES
Indoor TXV Control	YES
Basepan With Electric Heater	YES
Compressor With Electric Heater	YES
Outdoor Fin Coating	Acrylic Resin
Intelligent Defrosting	YES
Intelligent Preheating	YES
Low Voltage Startup	YES
Memory/Power Failure Recovery	YES
Self Diagnosis	YES
Low Ambient Cooling	YES
24VAC Thermostat Compatible	YES
Indoor Fan Type	Centrifugal
Multi Fan Speeds	3 Speeds
Auxiliary Electrical Heater	Optional

FAN PERFORMANCE CURVES



Static Pressure - InWc	0	0.1	0.2	0.3	0.4
Speed 1-CFM	1850	1750	1600	1540	1440
Speed 2-CFM	2020	1930	1830	1730	1630
Speed 3-CFM	2100	2050	1950	1840	1750

COOLING PERFORMANCE

Outdoor Ambient Temperature (DB)		Return Air Temperature			
		80°F (DB)			
		TC (Btu/h)	SHR	EER	Power Input (W)
MAX OUTPUT	5°F	54000	68.50%	14.79	3650
	10°F	54000	70.75%	14.59	3700
	15°F	54000	70.00%	14.40	3750
	20°F	54000	70.96%	14.21	3800
	25°F	54000	71.58%	14.10	3830
	30°F	54000	69.80%	13.92	3880
	35°F	54000	70.88%	13.67	3950
	40°F	54000	69.50%	13.43	4020
	45°F	54000	71.17%	13.24	4080
	50°F	54000	70.00%	13.11	4120
	55°F	54000	70.75%	12.98	4160
	60°F	54000	70.96%	12.86	4200
	65°F	54000	70.00%	12.71	4250
	70°F	54000	71.50%	12.47	4330
	75°F	54000	69.80%	12.27	4400
	80°F	54000	70.40%	12.00	4500
	85°F	55000	69.50%	11.83	4650
	90°F	55000	71.68%	11.00	5000
	95°F	55000	70.00%	10.17	5410
	100°F	55000	70.75%	9.17	6000
	105°F	54000	69.00%	8.12	6650
110°F	50000	70.94%	8.09	6180	
115°F	46000	71.00%	8.07	5700	
120°F	38000	68.67%	7.60	5000	
125°F	32000	67.60%	6.81	4700	
129°F	28000	71.00%	6.29	4450	

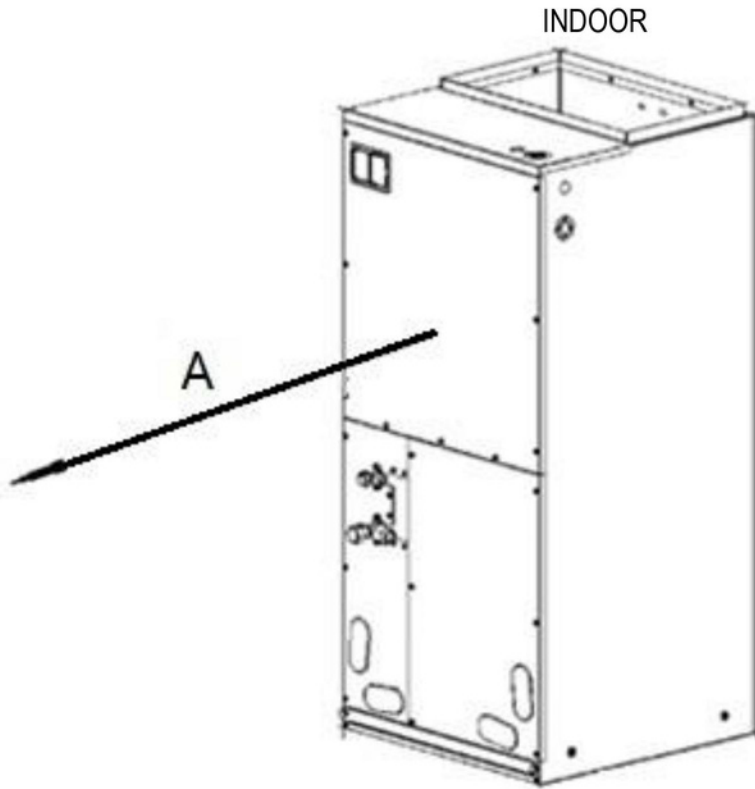
HEATING PERFORMANCE

Outdoor Ambient Temperature (DB)		Return Air Temperature		
		70°F (DB)		
		TC (Btu/h)	COP	Power Input (W)
MAX OUTPUT	-22°F	27000	1.25	6350
	-20°F	29000	1.31	6500
	-15°F	32000	1.40	6700
	-10°F	34000	1.45	6900
	-5°F	37000	1.55	7000
	0°F	40000	1.65	7100
	5°F	44000	1.80	7160
	10°F	46000	1.89	7140
	15°F	48000	1.98	7120
	17°F	49000	2.02	7100
	20°F	50000	2.13	6900
	25°F	52000	2.26	6750
	30°F	54000	2.38	6650
	35°F	54000	2.47	6400
	40°F	54000	2.64	6000
	45°F	54000	2.83	5600
	47°F	56000	3.10	5300
	50°F	58000	3.18	5350
	55°F	58000	3.20	5320
	60°F	60000	3.26	5400
	65°F	60000	3.38	5200
70°F	60000	3.52	5000	
75°F	54000	4.17	3800	

LEGEND: W - Watts
 DB - Dry Bulb
 TC - Total Capacity
 SHR - Sensible Heat Ratio
 COP - Coefficient of Performance

MINIMUM SPACING REQUIREMENTS

Units: inches



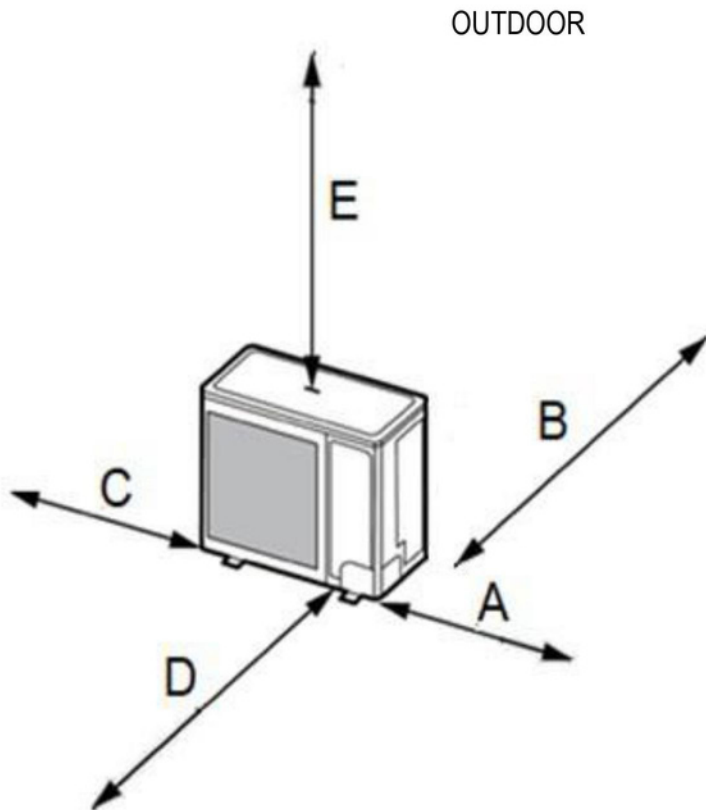
A	24
ALL OTHER SIDES	0

ALWAYS CHECK AND FOLLOW STATE AND LOCAL CODE REGULATIONS FOR MINIMUM SPACING REQUIREMENTS

TU60-24WADU

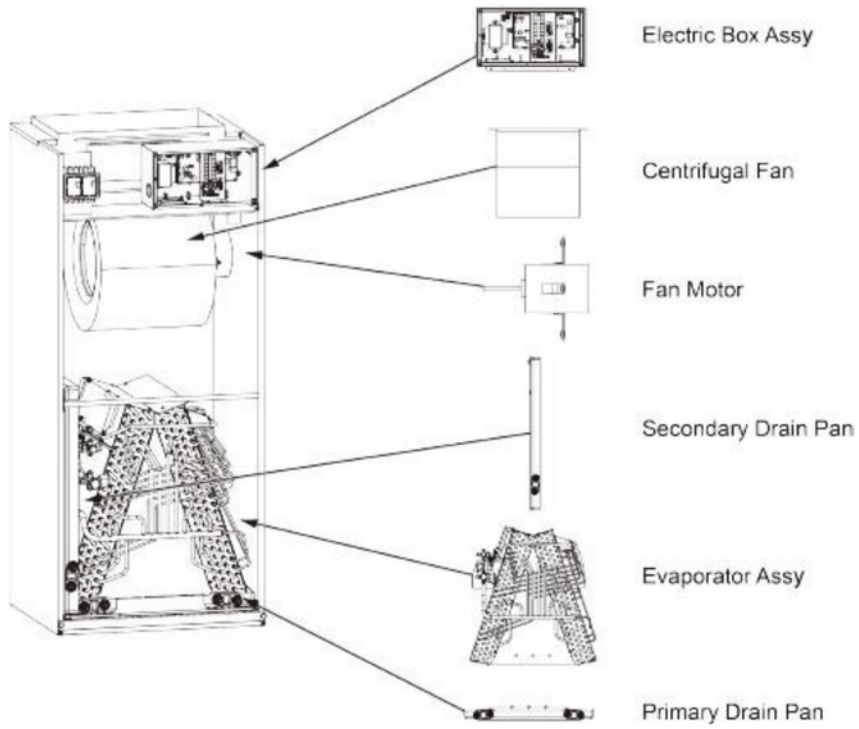
MINIMUM SPACING REQUIREMENTS

Units: inches



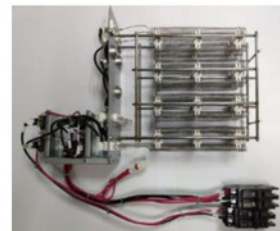
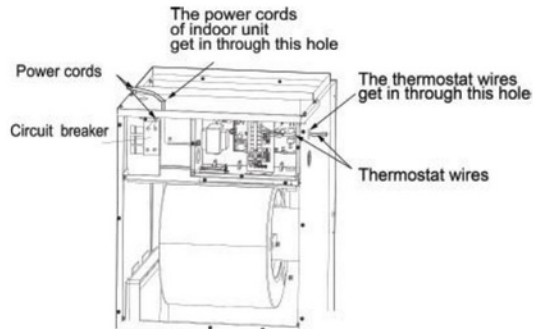
A	12
B	4
C	4
D	40
E	40

ALWAYS CHECK AND FOLLOW STATE AND LOCAL CODE REGULATIONS FOR MINIMUM SPACING REQUIREMENTS



Model	Cooling Capacity (ton)	Optional Electric Heater	KW
UNIX36,48,60HP230V1AH	3.0 / 4.0 / 5.0	UNIXHTR10KW	10
UNIX48,60HP230V1AH	4.0 / 5.0	UNIXHTR15KW	15
UNIX48,60HP230V1AH	4.0 / 5.0	UNIXHTR20KW	20

Power Supply	V	240	240	240	240	240
Rated Power	kW			10	15	20
Min. Circuit Ampacity	A			50	50 & 25	50 & 50
Max. Fuse or Breaker Ampacity	A			60	60 & 30	60 & 60

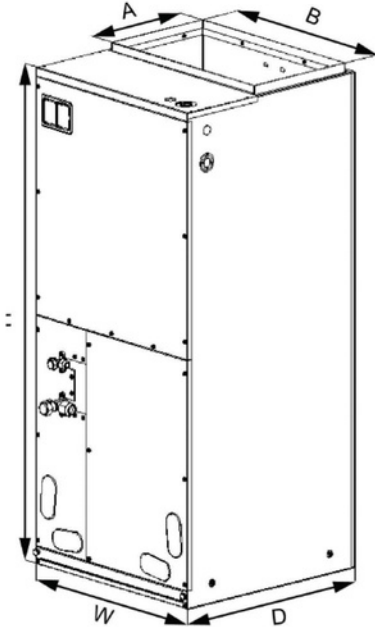


Submittal Data:

TUD60-24AH2ADU

INDOOR UNIT DIMENSIONS & WEIGHTS

Units: inch



W	24-3/4
D	21-1/4
H	57-1/4
A	11-5/8
B	20

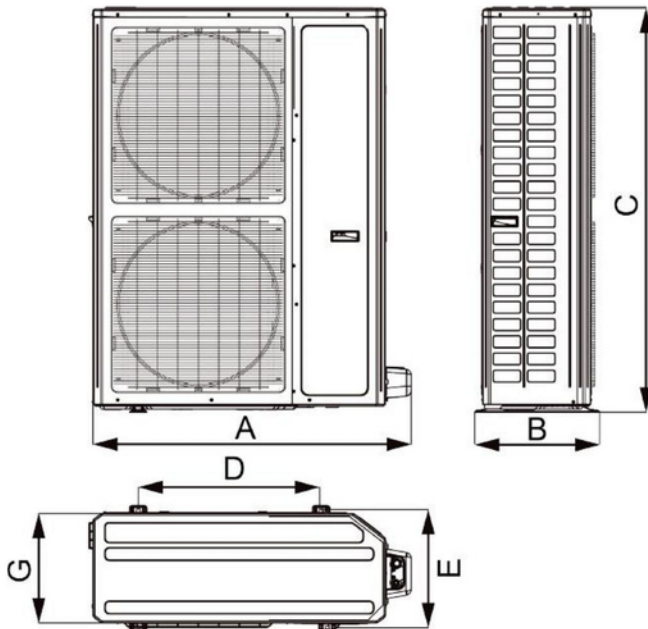
Net Weight (lbs)	202.8
Shipping Weight (lbs)	218

Liquid Line Valve	3/8-in OD Brazed
Gas Line Valve	3/4-in OD Brazed
Drain Connector	3/4 in OD

TU60-24WADU

OUTDOOR UNIT DIMENSIONS & WEIGHTS

Units: inch



A	42-3/4
B	16-7/8
C	53-3/4
D	24-1/2
E	15-1/2
G	14-1/2

Net Weight (lbs)	308.6
Shipping Weight (lbs)	337

Liquid Line Valve	3/8-in OD Brazed
Gas Line Valve	3/4-in OD Brazed

Notes:

1. Power wiring size must comply with applicable national and local codes for both ID and OD dedicated circuits.
2. Test conditions are based on AHRI 210/240.

Specifications are subject to change without notice. Manufacturer reserves the right to discontinue or modify specifications or designs without notice or without incurring obligations. All rights reserved.